

STANDARD FOR CERTIFICATION
No. 2.7-1

OFFSHORE CONTAINERS

APRIL 2006

DET NORSKE VERITAS

FOREWORD

DET NORSKE VERITAS (DNV) is an autonomous and independent foundation with the objectives of safeguarding life, property and the environment, at sea and onshore. DNV undertakes classification, certification, and other verification and consultancy services relating to quality of ships, offshore units and installations, and onshore industries worldwide, and carries out research in relation to these functions.

Standards for Certification

Standards for Certification (previously Certification Notes) are publications that contain principles, acceptance criteria and practical information related to the Society's consideration of objects, personnel, organisations, services and operations. Standards for Certification also apply as the basis for the issue of certificates and/or declarations that may not necessarily be related to classification.

A list of Standards for Certification is found in the latest edition of Pt.0 Ch.1 of the "Rules for Classification of Ships" and the "Rules for Classification of High Speed, Light Craft and Naval Surface Craft".

The list of Standards for Certification is also included in the current "Classification Services – Publications" issued by the Society, which is available on request. All publications may be ordered from the Society's Web site <http://exchange.dnv.com>.

Comments may be sent by e-mail to rules@dnv.com

Comprehensive information about DNV and the Society's services is found at the Web site <http://www.dnv.com>

© Det Norske Veritas

Computer Typesetting (FM+SGML) by Det Norske Veritas

If any person suffers loss or damage which is proved to have been caused by any negligent act or omission of Det Norske Veritas, then Det Norske Veritas shall pay compensation to such person for his proved direct loss or damage. However, the compensation shall not exceed an amount equal to ten times the fee charged for the service in question, provided that the maximum compensation shall never exceed USD 2 million.
In this provision "Det Norske Veritas" shall mean the Foundation Det Norske Veritas as well as all its subsidiaries, directors, officers, employees, agents and any other acting on behalf of Det Norske Veritas.

April 2006

Introduction

This Standard for Certification was first published in May, 1989 as "DNV Certification note 2.7-1 Offshore Freight Containers". It was prepared because other regulations at the time, whether international codes, national requirements or rules published by Det Norske Veritas, did not specifically cover offshore containers. A revised Certification Note was issued in May 1995. The basic strength and design requirements from the original edition were retained.

Many other standards, codes and regulations exist for containers, container-like units and related types of equipment. International standards, codes and regulations considered relevant have been taken into account when preparing this Standard for Certification. The most important of these are IMO's circular MSC/Circ.860 and EN 12079. In 1991 the European Committee for Standardisation, CEN, started developing a European Standard (EN) on offshore containers. Technical committee CEN TC 280 prepared EN 12079, which was issued in 1999, and a revised edition will be issued in 2006. The requirements for design, testing and production of offshore containers in EN 12079 are directly based on DNV Standard for Certification 2.7-1. The relationship between this Standard for Certification and other standards, codes and regulations is outlined in subchapter 1.2.

The Standard for Certification is concerned with certification of all types of offshore containers as transport units. The three typical phases of transport are: shoreside (e.g. by fork lift truck), by supply vessel and lifting to and from offshore installations. The Standard for Certification includes design requirements related to all three phases.

Under conditions in which offshore containers are often transported and handled, the "normal" rate of wear and tear is high, and damage necessitating repair will occur. However, containers designed and certified according to this Standard for Certification should have sufficient strength to withstand the normal forces encountered in offshore operations, and not suffer complete failure even if subject to more extreme loads.

Changes in the 2006 edition

The Standard for Certification has been extensively revised, with changes in all sections. However, the basic design and strength requirements have not been changed, with the exception of lifting sets. Detailed requirements, interpretations and guidances have been added throughout the standard and in the new appendices. Some requirements have been changed to align with the new EN 12079. New material requirements have been introduced for offshore containers that will only be certified for use in temperate climates. Many editorial changes have been made and the Appendices have been renumbered.

The most important changes are:

- Section 1 has been extended to include detailed references to other container standards and regulations.
- The requirements for materials have been taken out of the design section and moved to a separate Section 3.
- In the design section (now Section 4) there are several changes and additions, including protection on the top of open containers, allowable stresses in aluminium, clearances in padeye holes, requirements for fork pockets, testing of long containers with fork lift, and many additional guidances and notes.
- In Section 5 (Production) detailed requirements for NDE have been added and the amount of production testing has been reduced.
- Section 8 for lifting sets has been extensively revised. Reference standards have been added, a new calculation method has been introduced, detailed requirements for sling and component certificates have been added and the marking tags on lifting slings have been revised.
- In Section 9 the schedule for period examination and tests have been changed.
- A new Appendix C has been added with guidelines and examples on strength calculations.
- A new appendix D has been added with guidance on design and calculations of padeyes.
- Appendix E on calculations of lifting sets has been greatly extended.
- IMO's circular on offshore containers, MSC/Circ. 860 has been added at Appendix I.
- Existing Annexes 1 and 2 will now be included in the same booklet as the rest of the standard.
- A new Annex 3 concerning containers for temperate climates has been introduced. Containers certified to Annex 3 have higher design temperature than required by the main requirements of this Standard for Certification, but are otherwise identical to standard offshore containers.

Consequences:

- Existing offshore containers that DNV have been certified according to previous versions of Standard for Certification 2.7-1 will also comply with the new standard. Re-certification is generally not deemed necessary. However, on some containers the new requirements for lifting sets in Section 8 may give higher requirements for slings and or shackles.
- Containers certified to this Standard for Certification will comply with the requirements of MSC/Circ.860.
- Containers certified to this Standard for Certification will also comply with the requirements in the new EN12079 parts 1 and 2, and certification to this standard can be included at no extra cost.

April 2006

CONTENTS

1. GENERAL	8	4.3 Welding	17
1.1 Scope	8	4.3.1 Welding of padeyes	17
1.2 Relationship with other standards, codes and regulations	8	4.3.2 Welding of other primary structure	17
1.2.1 The International Maritime Organization (IMO)	8	4.4 Design Details	17
1.2.2 ISO standard freight containers (ISO Containers).....	8	4.4.1 Padeyes	17
1.2.3 European Standard EN 12079	8	4.4.2 Intermediate cargo decks	17
1.2.4 Standard for Certification 2.7-2 – Offshore service containers	8	4.4.3 Stacking and stacking fittings.....	18
1.2.5 Units for transportation offshore	8	4.4.4 ISO-corner fittings	18
1.2.6 Regulations for Lifting Appliances	9	4.4.5 Floor.....	18
1.3 National authorities	9	4.4.6 Fork lift pockets.....	18
1.4 Definitions	9	4.4.7 Container walls.....	18
1.4.1 Offshore container	9	4.4.8 Doors and hatches.....	18
1.4.2 Freight container.....	9	4.4.9 Internal securing points	18
1.4.3 Units for transportation offshore	9	4.4.10 Tugger points	19
1.4.4 Permanent equipment	9	4.4.11 Equipment.....	19
1.4.5 Primary Structure.....	9	4.4.12 Coating and corrosion protection	19
1.4.6 Secondary Structure.....	10	4.5 Tank containers and bulk containers	19
1.4.7 Prototype.....	10	4.5.1 Tank containers	19
1.4.8 Owner	10	4.5.2 Tank containers for dangerous goods.....	19
1.4.9 Lifting set.....	10	4.5.3 Containers for bulk solids.....	19
1.4.10 Assembly secured shackle	10	4.5.4 Bulk Containers for solid dangerous goods.....	20
1.5 List of symbols	10	4.6 Prototype testing	20
2. APPROVAL AND CERTIFICATION PROCEDURES	10	4.6.1 Introduction	20
2.1 General	10	4.6.2 Test equipment and calibration.....	20
2.2 Approval.....	11	4.6.3 Lifting tests	20
2.2.1 Approval Schemes	11	4.6.4 Vertical impact test.....	21
2.2.2 Approval to other standards.....	11	4.6.5 Other tests	21
2.2.3 Documents for approval and information.....	11	5. PRODUCTION	21
2.2.4 Design Review	11	5.1 General.....	21
2.3 Certification	11	5.2 Primary structure	21
2.3.1 Survey and certification.....	11	5.2.1 Approved Welders	21
2.3.2 Testing and inspection	12	5.2.2 Welding procedures	22
2.4 Certification of existing containers	12	5.2.3 Inspection of welds	22
2.5 Maintenance of certificate	12	5.2.4 NDE procedures and NDE operators.....	22
2.6 Summary of procedures.....	12	5.3 Secondary structure.....	22
2.6.1 Procedure for individual (case-by-case) approval and certification	12	5.4 Production testing	22
2.6.2 Procedure for type approval and certification	12	5.4.1 Lifting test.....	22
2.6.3 Procedure for design assessment for type approval and certification	12	5.4.2 Weatherproofness testing	23
3. MATERIALS	13	5.5 Production documentation	23
3.1 Steel.....	13	5.6 Inspection and certification.....	23
3.1.1 General.....	13	6. MARKING	23
3.1.2 Rolled, forged and cast steels in offshore container structures.....	13	6.1 Safety marking	23
3.2 Aluminium	14	6.2 Identification and Certification Markings.....	24
3.3 Non-metallic materials	14	6.3 Information Markings	24
3.4 Material certificates	14	6.4 Marking of Lifting Set	24
4. DESIGN	14	6.5 Other Marking	24
4.1 General	14	7. PLATING OF CONTAINERS	24
4.1.1 Structural design	15	7.1 General.....	24
4.1.2 Stability against tipping	15	7.2 Data Plate.....	24
4.1.3 Protruding parts and top protection	15	7.3 Inspection plate	25
4.1.4 Design temperature	15	8. LIFTING SETS	25
4.2 Structural strength	15	8.1 General requirements	25
4.2.1 Allowable stresses	15	8.2 Approval and certification of lifting sets.....	25
4.2.2 Load distribution.....	16	8.3 Design of lifting sets	25
4.2.3 Lifting loads.....	16	8.3.1 Dimensions and Strength of Lifting Sets.....	26
4.2.4 Impact loads.....	16	8.3.2 Lifting set components	27
4.2.5 Minimum material thickness	17	8.4 Materials	27
		8.5 Certificates for lifting sets and components	28
		8.5.1 Sling certificates	28

8.5.2	Component certificates	28	1.	INTRODUCTION	53
8.6	Marking of lifting sets.....	28	2.	SCOPE	53
9.	PERIODIC EXAMINATION, TESTS AND REPAIRS	29	3.	GENERAL.....	53
9.1	General.....	29	3.1	Documentation to be submitted.....	53
9.2	Inspection, test and repairs on containers	29	3.1.1	Documentation for type approval of lifting slings.....	53
9.2.1	Schedule of examination and tests	29	3.1.2	Documentation for type approval of lifting set components	53
9.2.2	Visual inspection.....	29	3.1.3	General documentation from the manufacturer	53
9.2.3	Non-destructive testing	30	3.2	Validity.....	53
9.2.4	Repairs and modifications of containers.....	30	3.3	Renewal.....	53
9.2.5	Marking of the inspection plate	30	4.	DESIGN REQUIREMENTS	54
9.3	Inspection, test and repairs on lifting sets.....	30	5.	MATERIALS AND MATERIAL TESTING....	54
9.3.1	Schedule of examination and tests	30	6.	PROTOTYPE TESTING.....	54
9.3.2	Load testing of chain sling legs	30	7.	MARKING AND TRACEABILITY.....	54
9.3.3	Non-destructive examination of sling components except wire rope legs	30	8.	REQUIREMENTS RELATED TO MANUFACTURERS	54
9.3.4	Visual inspection of the lifting set	30	9.	TYPE APPROVAL CERTIFICATE.....	54
9.3.5	Chain and wire rope slings and components.....	30	10.	PRODUCTION AND CERTIFICATION.....	55
9.3.6	Shackles	31	10.1	Production testing	55
9.3.7	Marking of the lifting set tag	31	10.2	Lifting set certificate.....	55
9.4	Inspection, test and repairs on tank containers	31	10.3	Certificates for Lifting Set Components.....	55
9.5	Inspection reports	31			
APP. A					
LIST OF REFERENCES.....		32		ANNEX 2	
APP. B				APPROVAL PROGRAMME FOR TEST FACILITIES ENGAGED IN LOAD TESTING AND NDT INSPECTION OF OFFSHORE CONTAINERS	56
EXAMPLE OF OFFSHORE CONTAINER		34	1.	GENERAL.....	56
APP. C			1.1	Scope	56
GUIDELINES AND EXAMPLES ON STRENGTH CALCULATIONS		35	1.2	Objective.....	56
APP. D			1.3	Extent of engagement	56
DESIGN OF PADEYE.....		37	1.4	Validity.....	56
APP. E			2.	REQUIREMENTS TO SUPPLIER.....	56
CALCULATIONS OF LIFTING SETS.....		38	2.1	Submission of documents.....	56
APP. F			2.2	Quality assurance system.....	56
EXAMPLE OF DROP TEST		42	2.3	Qualification of personnel	56
APP. G			2.4	Supervisor.....	57
CERTIFICATE FOR OFFSHORE CONTAINER.....		43	2.5	Operators.....	57
APP. H			2.6	Personnel records.....	57
DNV EMBLEM FOR OFFSHORE CONTAINERS		45	2.7	Equipment	57
APP. I			2.8	Procedures and instructions	57
MSC/CIRC.860		46	2.8.1	Lifting tests	57
APP. J			2.8.2	Vertical impact test	57
CERTIFICATE FOR OFFSHORE CONTAINER LIFTING SLINGS – EXAMPLE.....		51	2.8.3	Other tests	58
APP. K			2.8.4	Non-destructive examination	58
CERTIFICATE FOR LIFTING SET COMPONENTS* FOR OFFSHORE CONTAINERS – EXAMPLE		52	2.9	Administrative procedures	58
ANNEX 1			2.10	Verification.....	58
TYPE APPROVAL OF LIFTING SETS FOR OFFSHORE CONTAINERS		53	2.11	Sub-contractors.....	58
			2.12	Reporting	58
			2.12.1	Contents of reports:.....	58
			2.12.2	Prototype or production tests	58
			2.12.3	Tests on existing containers	58

April 2006

<p>3. REPAIRS ON CONTAINERS IDENTIFIED AS A RESULT OF LOAD TESTS AND OR NDT . 58</p> <p>3.1 General58</p> <p>4. APPROVAL PROCEDURES 58</p> <p>4.1 Review of documentation.....58</p> <p>4.2 Initial audit.....58</p> <p>4.3 Special procedures related to control of supplier's relationship with the parent company58</p> <p>4.4 Certificate of approval59</p> <p>4.5 Renewal of approval.....59</p> <p>5. INFORMATION ON ALTERATION TO THE CERTIFIED SERVICE OPERATION SYSTEM 59</p> <p>5.1 Alteration59</p>	<p>6. CANCELLATION OF THE CERTIFICATE OF APPROVAL 59</p> <p>6.1 Right to cancel59</p> <p>6.2 Information.....59</p> <p>6.3 Re-approval59</p> <p>7. REFERENCES..... 59</p> <p>ANNEX 3</p> <p>OFFSHORE CONTAINERS FOR USE IN TEMPERATE CLIMATES ONLY 60</p> <p>1. INTRODUCTION..... 60</p> <p>2. AREA 60</p> <p>3. DESIGN TEMPERATURE 60</p> <p>4. MARKING 60</p> <p>5. DATA PLATE..... 60</p>
--	--

1. General

1.1 Scope

This Standard for Certification applies for transport related requirements for offshore containers with respect to design, manufacture, testing, certification, marking and periodic inspection.

The Standard for Certification covers the container structure and any permanent equipment for handling, filling, emptying, refrigerating, heating and safety purposes.

The intention is that offshore containers shall meet the following requirements:

- Be safe in use with regard to:
- lives
- environment
- hazard to the vessel/installation

Be suitable for repeated use through choice of:

- material
- protection
- ease of repair and maintenance.

The requirements in this Standard for Certification are based on a number of assumptions regarding the handling and operation of offshore containers:

- They are lifted individually by crane hook attached to top link of lifting set
- They are not lifted by spreaders or using ISO container fittings
- They can be lifted anywhere (world wide) by any crane with sufficient capacity and speed
- For containers only approved for limited operation area (Temperate Climate) see Annex 3
- They are only stacked if they are designed for this.
- They are stacked only onshore or on offshore installations. Not to be stacked during transport on ships.
- Cargo or loose installations are properly secured in the container.
- The container is designed to give adequate protection to its cargo or to installations inside.
- They are handled according to IMO's "Code of safe practice for supply vessels".
- Handling and operation is in accordance with local regulations.

The Society may approve alternative solutions that are found to represent an overall safety standard equivalent to the requirements in this Standard for Certification. Such approval may be revoked if subsequent information indicates that the chosen alternative is not satisfactory.

When the word "container" is used throughout the Standard for Certification, it means an offshore container.

Use of the word "shall" implies a mandatory requirement when seeking the Society's approval. Use of the word "should" implies a recommended approach, where comparable solution may also be acceptable.

The passages throughout this Standard for Certification marked "Guidance" and "Note" are not to be taken as requirements by Det Norske Veritas. Such Guidance and Notes are intended as practical advice and information for the designer, manufacturer or operator.

This Standard for Certification often refers directly to various standards (EN, ISO etc.), or to "other recognised standard". Recognised standard means a standard found acceptable by the Society.

1.2 Relationship with other standards, codes and regulations

1.2.1 The International Maritime Organization (IMO)

IMO has issued both the International Convention for Safe Containers, CSC, and the International Maritime Dangerous Goods code, IMDG. Both of these are mandatory international regulations. IMO has recognised that the CSC convention is not directly applicable for offshore containers that are handled in open seas, and has issued a circular (MSC/Circ.860) with guidelines on certification of offshore containers. The IMDG code also requires that containers and portable tanks that are handled in open seas should be certified for this purpose.

Containers certified to this Standard for Certification also comply with MSC/Circ.860, and this will be referenced in the certificates. The circular is reproduced at Appendix I.

IMO has also issued the Code of safe practice for the carriage of cargoes and persons by offshore supply vessels (OSV code) which includes guidelines for handling, stowage and securing of cargoes.

1.2.2 ISO standard freight containers (ISO Containers)

Containers that are intended for sea transport on container ships are normally designed according to an applicable part of ISO 1496. Containers that are certified to CSC are in general also designed as ISO containers.

Offshore containers designed and certified according to this Standard for Certification can also be designed and certified according to CSC And ISO 1496.

1.2.3 European Standard EN 12079

(At date of writing: new version only available as prEN 12079)

The European Standard EN 12079 "Offshore containers and associated lifting sets" consists of 3 parts, see Table 1-1.

Table 1-1		
EN 12079 part:	Title	Equivalent sections in Standard for Certification 2.7-1
Part 1	Offshore containers – design, manufacture and marking	Sec. 1, 3, 4, 5, 6, 7
Part 2	Lifting sets – Design, manufacture and marking	Sec. 8
Part 3	Periodic inspection, examination and testing	Sec. 9

Offshore Containers and lifting sets certified to this Standard for Certification also comply fully with prEN12079 parts 1 and 2 respectively, and this may be referenced in the certificates.

1.2.4 Standard for Certification 2.7-2 – Offshore service containers

When an offshore container is designed and equipped to be placed onboard a fixed or floating offshore installation to perform specific services, it may be subject to regulations applying on the installation and to the area where it is placed. Standard for Certification 2.7-2 "Offshore Service Containers" covers containers designed for such requirements.

1.2.5 Units for transportation offshore

Many portable units intended for offshore use are not containers as defined in this Standard for Certification. However, there is often a need for verification and certification of such units. DNV has therefore prepared a new Standard for Certification 2.7-3 for Portable Offshore Units with requirements for design, manufacture, testing etc. for portable units up to 50 000 kg.

Offshore Units certified to that Standard for Certification are not intended to carry cargoes as their primary function, but

April 2006

may carry loose equipment that is related to their intended service.

The main difference between Offshore containers and "Units for transportation offshore" is: For such units, their fitness for use must be assessed for each design type, and may have to be considered for each transport event. Operational restrictions may be given in the certificate, or it may be required that the operator evaluate their suitability for each event.

1.2.6 Regulations for Lifting Appliances

Offshore containers are not lifting equipment as defined by ILO, by the European Community's Machinery Directive or by DNV's Rules for Certification of Lifting Appliances. Instead they are considered to be cargo units as defined in these codes and directives.

However, requirements from these regulations and standards have been taken into account in the requirements in this Standard for Certification, e.g. in the intervals for periodic surveys.

1.3 National authorities

In cases where National Authorities have stricter requirements than this Standard for Certification, these may be incorporated in the certification procedures.

Note:

Some National Authorities may consider offshore containers to be lifting equipment.

---e-n-d---of---N-o-t-e---

1.4 Definitions

1.4.1 Offshore container

An offshore container is a portable unit with a maximum gross mass not exceeding 25 000 kg, for repeated use in the transport of goods or equipment, handled in open seas, to, from or between fixed and/or floating installations and ships.

An offshore container comprises permanently installed equipment, see 1.4.4.

Note:

Other permanent or loose equipment will not be covered by the certification unless specially agreed. However, supporting structure for heavy equipment, machinery, etc. will be approved according to 4.4.11.

---e-n-d---of---N-o-t-e---

Offshore containers are also defined by the requirements throughout this Standard for Certification. Refer to definitions of primary and secondary structure below and in 4.1.

Units for offshore lifting that are intended for installation and not for repeated transport are not considered to be containers. Likewise, units that do not have an outer framework with padeyes are not considered to be containers. Hence, these units are not covered by Standard for Certification 2.7-1. (See however the definition of waste skip in 1.2.2.) Many such portable units may be eligible for certification according to DNV's Standard for Certification for Portable Offshore Units¹.

Offshore containers may be divided into 3 main categories:

- a) Offshore freight container:
 - Offshore container built for the transport of goods. Examples of offshore freight containers:
 - general cargo container: a closed container with doors
 - cargo basket: an open top container for general or special cargo (e.g. pipes, risers)
 - tank container: a container for transport of dangerous or non-dangerous fluids
 - bulk container; container for transport of solids in bulk

- special container; container for transport of special cargo (e.g. garbage compactors, equipment boxes, bottle racks).

- b) Offshore service container:
 - Offshore container built and equipped for a special service task, mainly as temporary installation. (Examples are, laboratories, workshop, stores, power plants, control stations, wireline units).
- c) Offshore waste skip
 - An open or closed offshore container used for the storage and removal of waste. Normally constructed from flat steel plates forming the load bearing sections of the container, bracing in the form of steel profiles, e.g. channel or hollow section, being fitted horizontally around sides and ends. Waste skips may be open or have loose or hinged covers
 - In addition to the pad eyes for the lifting set these containers may also have side mounted lugs suitable for attachment of the lifting equipment mounted on a skip lift vehicle.

1.4.2 Freight container

Re-usable transport container, used for international traffic and designed to facilitate the carriage of goods by one or more modes of transport (including marine) without intermediate re-loading. See DNV "Rules for Certification of Freight Containers, 1981". Also known as CSC Containers or ISO Containers.

1.4.3 Units for transportation offshore

Portable unit or package with a maximum gross mass not exceeding 50 000 kg, for repeated or single use with a primary service function, handled in open seas, to, from or between fixed and/or floating offshore installations and ships. Units of this type are not considered to be offshore containers.

1.4.4 Permanent equipment

Equipment that is attached to the container and which is not cargo.

Note:

May include lifting sets, additional fittings for handling and securing, filling, emptying, cooling and heating, intermediate decks, securing points, garbage compactors, etc.

---e-n-d---of---N-o-t-e---

1.4.5 Primary Structure

Load carrying and supporting frames and load carrying panels.

Primary structure includes the following structural components:

- Load carrying and supporting frames
- Load carrying panels (floor, 'tweendecks)
- Fork lift pockets
- Pad eyes
- Supporting structures for tanks
- Supports for heavy equipment
- Corner/knee brackets.

Primary structure is divided into two sub-groups:

- a) *Essential and non-redundant primary structure* are the main structural elements which transfer the resulting cargo load to the crane hook or fork lift truck (i.e. forming the load path from the payload to the lifting sling), and will at least include:
 - top and bottom side rails
 - top and bottom end rails
 - corner posts
 - pad eyes

— fork lift pockets.

Other primary structure may also be considered essential and or non-redundant.

- b) *Non-essential primary structure* are e.g. floor plates and other structural elements for which the main function is other than described in a). Deflector plates, stacking fittings and end plates on hollow section are considered to be in this category. This sub-group also includes protective frame members.

Side and roof panels (including corrugated panels) are not considered to be part of the primary structure and shall not be taken into account when evaluating the strength of the container. For waste skips the requirements in 4.1.1 apply.

1.4.6 Secondary Structure

Parts that are not considered as load carrying for the purposes of the design calculations. Secondary structure includes the following components:

- Doors, wall and roof panels, covers on skids
- Panel stiffeners and corrugations
- Structural components used for tank protection only
- Internal securing points

1.4.7 Prototype

An equipment item, considered to be representative for the production and the product to be approved, used for prototype testing. The prototype may either be manufactured especially for type testing or selected at random from a production series. If manufactured specially, it is expected that the tools and the production process are comparable to those to be used for subsequent production.

1.4.8 Owner

The legal owner of the offshore container or a delegated nominee.

1.4.9 Lifting set

Items of integrated lifting equipment used to connect the offshore container to the lifting appliance. This can comprise single or multi leg slings (with or without a top leg) and shackles, whether assembly secured or not.

1.4.10 Assembly secured shackle

Shackle fitted to a sling leg and secured by a seal or similar device, so as to signal, unambiguously, whether or not the shackle has been exchanged.

Note 1:

Shackles that are captive in the thimbles are also considered as assembly secured.

---e-n-d---of---N-o-t-e---

Note 2:

Shackles that are assembly secured, i.e. can not be separated from the lifting sling, are considered to be part of the lifting sling. See 9.3.

---e-n-d---of---N-o-t-e---

1.5 List of symbols

R = Rating or maximum gross mass of the offshore container including permanent equipment and its cargo, in kg; but excluding the lifting set

Note:

The mass of the lifting set is not included in R because the lifting set is often not available at the time of certification and because it may be replaced during the lifetime of the container.

---e-n-d---of---N-o-t-e---

T	=	Tare mass. Mass of the empty container including any permanent equipment but excluding cargo and lifting set, in kg;
P	=	Payload. The maximum permissible mass of cargo which may safely be transported by the container, in kg. ($P = R - T$)
S	=	The mass of the lifting set
F	=	Design load, in N
L	=	Length of container, in mm
R_e	=	Specified minimum yield stress at room temperature, in N/mm ² .
R_m	=	Specified minimum tensile strength at room temperature, in N/mm ² .
$R_{p0.2}$	=	0.2% proof stress at room temperature, in N/mm ² .
RSL	=	Resulting Sling Load on padeyes, in N.
T_D	=	The design temperature is a reference temperature used for the selection of steel grades used in offshore containers and equipment.
g	=	Standard acceleration of gravity ($\sim 9.81 \text{ m/s}^2$).
l_n	=	Nominal length of structural member, in mm
n	=	Number of sling legs
t	=	Material thickness, in mm.
v	=	Angle of sling leg from vertical in degrees
y	=	Deflection of structural member, in mm
σ_c	=	The von Mises equivalent stress, in N/mm ² .
Ψ	=	Load factor
WLL	=	Working Load Limit, in tonnes. Maximum mass that a lifting component is authorized to sustain in lifting service

Note 1:

The WLL for lifting components that is specified in standards, product specifications, etc. is normally the WLL for general lifting service. For the special application of lifting sets fitted to offshore containers, the WLL is enhanced as described in Section 8.

---e-n-d---of---N-o-t-e---

Note 2:

The term "Safe Working Load, SWL" is not used in this Standard for Certification. This term is not clearly defined for containers and should, therefore not be used when referring to offshore containers. The term "Working Load Limit, WLL" is only used for lifting sets, not for containers.

---e-n-d---of---N-o-t-e---

2. Approval and Certification Procedures

2.1 General

Offshore containers designed, manufactured, tested and marked in compliance with the following requirements may be certified by Det Norske Veritas. At the end of the verification process a product certificate is issued by the Society and the Society's numbered certification emblem is affixed to the container.

Certification consists of the following steps:

- Design review
- Inspection and testing of prototype
- Production inspection and testing
- Issuance of certificates

An application for approval and certification should be sent to the local DNV office who will forward this to the approval of-

April 2006

office. The Application shall include:

- Short description of the container type(s) (size, function, special features, etc.)
- Specification of standards and regulations to be covered
- Preferred type of approval scheme (see 2.2.1)
- Place of manufacture (if applicable)
- If individual approval is sought: the number of containers to be manufactured.

2.2 Approval

2.2.1 Approval Schemes

If a manufacturer plans to build only one container, or a single, limited batch of containers, the Society may give an individual (case-by-case) approval valid for that batch only. The manufacturer must specify the number of containers to be covered by the approval.

If series production is intended, or if further orders for the same container design is expected in the future, type approval is recommended. Type Approval Certificates are normally issued to the manufacturer of the container. If containers are made by a manufacturer on behalf of the owner of a design type, both the owner of the design type and the manufacturer will be listed in the Type Approval Certificate.

If a designer/design company wishes to obtain an approval certificate for a container design, either because they do not manufacture themselves, or because it will be built at a later date, the Society may issue a "Design Assessment for Type Approval Certificate". When the container design is built, it shall be type tested and a Type Approval Certificate may be issued to the manufacturer. If the manufacturer is a licensee, the Type Approval Certificate will refer to the designer/design company and to the Design Assessment for Type Approval Certificate. If several licensees shall make containers of the same design type, type testing shall normally be carried out at each manufacturing plant.

Lifting sets for offshore containers may be type approved according to Annex 1 to this Standard for Certification, "Type Approval of Lifting Sets for Offshore Containers".

DNV type approvals are listed in DNV Exchange on DNV's web site www.dnv.com

2.2.2 Approval to other standards

Offshore containers that are certified to this Standard for Certification will also comply with the guidelines in IMO's circular MSC/Circ. 860. and with EN 12079 parts 1 and 2 respectively. Therefore these codes will normally be listed in the Type Approval and Offshore Container certificates.

Offshore tank containers for dangerous goods shall be certified according to the IMDG Code in addition to certification to DNV 2.7-1.

Upon request, or if considered a necessary part of the certification needed for a container, the Society may also certify offshore containers to other international or national standards or regulations.

2.2.3 Documents for approval and information

For design review, the following documentation shall be submitted to an approval office through the local DNV offices in ample time before manufacturing:

For approval, in triplicate:

- Plans showing arrangement, dimensions, maximum gross mass, payload, scantlings of strength members, sling angle, pad eyes and design details as well as materials to be used. Material standards should be specified.
- Particulars of joining methods (welding, bolted or riveted connections). Welds to be indicated with welding symbols to a recognised standard.

For information (1 copy):

- Design calculations if available, including lifting set calculations.
- Other documentation as required for special purpose containers or for special equipment.

Note 1:

If the application with documentation is sent by e-mail the documentation should be in Adobe® PDF format. The drawings and documentation should be enclosed in a limited number of files correctly formatted for printing.

---e-n-d---of---N-o-t-e---

Note 2:

The Society always verifies the strength of a container, and this often includes strength calculations performed by the Society. However, calculations to optimise the design will not be performed by the Society.

---e-n-d---of---N-o-t-e---

Documentation to be presented to the local DNV Office attending surveyor:

- Information about welders' qualification
- Information about welding procedures
- Information about NDT operators
- Particulars of corrosion protection and painting (type, application, dry film thickness)
- Plating and marking

2.2.4 Design Review

This implies a review of:

- Strength of structure, including design details
- Material specifications
- Welding and other joining methods
- Lifting set
- Supporting structures for other permanent equipment

In cases where experience and/or other findings show that safety hazards may arise in connection with items not covered directly by the existing requirements, DNV may decide to lay down at any time supplementary requirements to maintain the overall safety standard.

DNV's computer program "OffCon" may be used as a help to do rule check calculations.

2.3 Certification

2.3.1 Survey and certification

Before production starts, the Society should verify that the manufacturer has qualified welders and approved welding procedures, and that they are capable of manufacturing the containers.

Production shall be carried out according to the manufacturer's quality plan. During production, the Society will normally perform inspections in accordance with Section 5.

Alternatively, certification may be based on the Society's surveillance of the manufacturer's quality assurance system. On the basis of this system, the terms of survey and testing and the frequency of attendance by a surveyor may be defined in a Manufacturing Survey Arrangement (MSA).

An MSA is an agreement in the form of a document stating the role of Det Norske Veritas and the manufacturer in connection with Manufacturing Survey and certification for a specific range of materials/components.

For each container produced, a product certificate, "Offshore Container Certificate" (Form No. 49.07a, see Appendix G) will be issued by a Surveyor from the Society. The DNV surveyor need only fill in and sign the front page of the certificate

form at the time of delivery, If other information is available; he may also include this on page 2 of the certificate.

Note:

Since the lifting set is often not delivered from the container manufacturer, and normally will be replaced during the lifetime of a container, the certificate need not include the lifting set.

---e-n-d---of---N-o-t-e---

For tank containers for dangerous goods, DNV's Certificate for tank container or portable tank (Form 49.04a) shall be issued in addition to the offshore container certificate. The 2 certificates shall both have the same certificate number.

2.3.2 Testing and inspection

2.3.2.1 Prototype Testing

Whether a single container or a series of containers shall be built, prototype tests shall be carried out. As these tests should not damage the container, no special prototype has to be built for testing. Test requirements are given in 4.6.

2.3.2.2 Production Testing

If a series of containers shall be built, strength tests shall be carried out on a percentage of these. Test requirements are given in 5.4.

2.3.2.3 Production Inspection

Manufacturing shall be under survey according to approved drawings and specifications. Manufacturing inspection requirements are given in 5.6.

2.4 Certification of existing containers

Existing containers that have not previously been certified according to this Standard for Certification may in certain cases be considered for certification.

Containers that have been certified by other certifying bodies will not automatically be accepted as complying with the requirements in this Standard for Certification. The Society reserves the right to review design, inspect and test any container before issuing the certificates described in 2.3.1 above.

All relevant available documentation shall be submitted for review. If the documentation is incomplete, additional requirements may be specified by the society. This may include calculations, taking out samples to determine material properties and rewelding of important welds.

Each existing container shall be thoroughly inspected, including the use of NDT to the extent required by the surveyor. The lifting test as described in 4.6.3.2 shall be performed. Other tests, such as the 2-point lifting test described in 4.6.3.3 or the vertical impact test as described in 4.6.4 may in some cases also be required.

If the container is not found to comply fully with the requirements of this Standard for Certification, the Society may specify required modifications, de-rating or other limitations.

2.5 Maintenance of certificate

To maintain the validity of a certificate, the container shall be inspected annually as described in Section 9.

Such periodic inspection may be carried out by the Society or by other inspection bodies recognized by national authorities to carry out such inspections. However, major repairs or modifications which may alter the certificate shall be approved by the Society.

Inspection bodies should normally meet the requirements of ISO/IEC 17020 or equivalent standards.

Periodic inspections of offshore tank containers for dangerous goods according to the IMDG Code can only be carried out by DNV or other certifying bodies authorised to perform such inspections.

2.6 Summary of procedures

The procedures for individual and type approval are outlined below.

Before production starts, DNV should verify the qualifications of the manufacturer.

Numbered certification emblems as shown in Appendix H are allocated and distributed to the local survey office by the responsible section in DNV.

2.6.1 Procedure for individual (case-by-case) approval and certification

- 1) Application is sent through local DNV station to the approval office.
- 2) Order confirmed and fees agreed.
- 3) Drawings, documentation and calculations reviewed and approval given by the approval office.
- 4) Prototype offshore container manufactured under supervision of the Society's Surveyor.
- 5) Container tested according to prototype test requirements, witnessed by the Society's Surveyor.
- 6) Production proceeds according to the manufacturer's quality plan with the necessary surveys by the Society (or surveys according to an agreed Manufacturing Survey Arrangement if applicable). Production tests according to list in section 5.6.
- 7) DNV surveyor issues Offshore Container Certificate (form 49.07) and affixes emblem.

2.6.2 Procedure for type approval and certification

- 1) Application sent through local DNV station to the approval office.
- 2) Order confirmed and fees agreed.
- 3) Drawings, documentation and calculations reviewed and approval given by the approval office.
- 4) Prototype offshore container manufactured under supervision of the Society's Surveyor.
- 5) Container tested according to prototype test requirements, witnessed by the Society's Surveyor.
- 6) Test report reviewed by the approval office.
- 7) A "Type Approval Certificate", valid for 4 years, will be issued to the Manufacturer by the approval office.
- 8) Type approved offshore container entered in DNV's register of type approved products.
- 9) Production proceeds according to the manufacturer's quality plan with the necessary surveys by the Society (or surveys according to an agreed Manufacturing Survey Arrangement if applicable). Production tests according to list in 5.4.
- 10) DNV Surveyor issues Offshore Container Certificate (form 49.07) and affixes emblem.

2.6.3 Procedure for design assessment for type approval and certification

- 1) Application sent to the approval office.
- 2) Order confirmed and fees agreed.
- 3) Drawings, documentation and calculations reviewed and approval given by the approval office.
- 4) A "design assessment for type approval certificate", valid for 4 years, issued to the designer by the approval office.

A design assessment for type approval certificate enables the designer to type approve the product with one or more manu-

April 2006

facturers without repeating the design review process. in order to obtain a "type approval certificate" and certificates for each unit being built, the procedure described in 2.6.2, Pt.4) to Pt.10) shall be followed. The "type approval certificate" will contain a reference to the "design assessment for type approval certificate".

3. Materials

3.1 Steel

3.1.1 General

Requirements for materials in lifting sets are given in 8.4.

In this section, the references to detail requirements are generally to EN standards or DNV's "Rules for Classification of Ships". Other recognised standards for equivalent materials may also be used.

The chemical composition, mechanical properties, heat treatment and weldability shall be suitable for the purpose. Steels shall comply with the material requirements of the recognised standard and the additional requirements specified below.

Steels for welding shall be made by open hearth, the electric furnace or the basic oxygen steel process. Steels in primary structure shall be killed. Only materials with non-ageing properties shall be used.

Extra high strength steels, with specified yield stress above 500 N/mm², shall not be used.

When materials of different galvanic potential are joined together, the design shall be such that galvanic corrosion is avoided.

Welding consumables shall be according to recognized standards for welding consumables

Tensile testing shall be carried out according to EN 10 002-1 or DNV's "Rules for Classification of Ships" Pt.2 Ch.1

In order to avoid initiation of brittle fracture, the steels shall possess adequate fracture energy. Steels for primary structures shall be tested by the Charpy impact (V-notch) method according to EN 10 045-1 or DNV's "Rules for Classification of Ships" Pt.2 Ch.1.

Impact test temperatures shall be as given in Table 3-1. The requirements for design temperature T_D, can be seen in 4.1.4.

Table 3-1 Impact test temperature. Structural steel for primary structural members

Material thickness, t, in mm	Impact test temperature in °C
t ≤ 12	T _D + 10
12 < t ≤ 25	T _D
t > 25	T _D - 20

Requirements for impact energy depend on the specified minimum yield stress of the steel. The average energy absorption for 3 base material specimens with their axis parallel to the final rolling direction shall not be less than given in Figure 3-1.

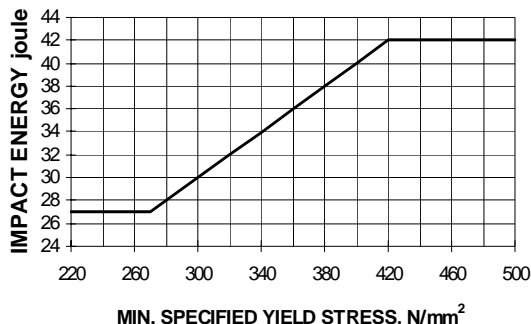


Figure 3-1 Charpy V-notch requirements for steel

For base material specimens with their axis transverse to the final rolling direction the requirement is 2/3 of that for longitudinally oriented specimens. No single value shall be less than 70% of the required average values. If standard specimens cannot be made, the required energy values are reduced as follows:

10 x 7.5 mm → 5/6 of above values

10 x 5.0 mm → 2/3 of above values

For steel members with thickness less than 6 mm, impact testing is not required. Austenitic steels need not be impact tested.

3.1.2 Rolled, forged and cast steels in offshore container structures

3.1.2.1 Groups of steel

Structural steels for primary structure shall be carbon steel, carbon-manganese steel, carbon-manganese micro-alloyed steel or low-alloyed steel.

Rolled steel shall comply with the requirements in EN 10025 (hot rolled plates and profiles), EN 10210 or EN 10219 (hollow sections) or with DNV's Rules for Classification of Ships Pt.2 Ch.2 Sec.1 and Sec.2) and with the additional requirements given in this section.

Austenitic or austenitic/ferritic stainless steels may be used, reference EN10088 or DNV's Rules for Classification of Ships, Pt.2 Ch.2 Sec.2.

Plates that will be subjected to tensile loads through the thickness of the plate shall comply with EN 10164 or DNV's Rules for Classification of Ships, Pt.2 Ch.2 Sec.1E, with quality Z25 or better.

3.1.2.2 Forged and Cast Steel

Steel forgings shall be carbon or carbon-manganese steels. Such forgings shall be made from killed and fine-grain treated non-ageing steel.

For chemical and mechanical properties of alloy steel forgings, reference shall be made to EN 10250-2, Open die steel forgings for general engineering purposes — Part 2: Non-alloy quality and special steels and to EN 10250-3, Open die steel forgings for general engineering purposes — Part 3: Alloy special steels, or DNV's Rules for Classification of Ships Pt.2 Ch.2 Sec.5.

The chemical composition shall be suitable for the thickness in question.

Alloy steels shall be delivered in quenched and tempered condition.

Steel castings shall comply with ISO 3755.

ISO corner fittings made from cast steel shall fulfil the require-

ments in Table 3-2 and 3-3:

Table 3-2 Chemical composition (ladle analysis) ¹⁾

Chemical composition %										
C max.	Mn	Si max.	P max.	S max.	Cr max.	Ni max.	Cu max.	Mo max.	Al ²⁾ min	Cr+Ni+Cu+Mo max.
0.20	0.90 to 1.50	0.50	0.035	0.035	0.25	0.30	0.20	0.08	0.015	0.70

1) The carbon equivalent $C_{eq} = C + Mn/6 + (Cr + Mo + V)/5 + (Ni + Cu)/15$ (%) shall not exceed 0.45 %
 2) other grain refiners may be accepted

Table 3-3 Mechanical properties

Yield Strength R_e min. N/mm ²	Tensile Strength R_m N/mm ²	Elongation A5 min. %	Reduction of area Z min. %	Impact energy KV at -20°C min. joule
220	430 to 600	25	40	27

3.1.2.3 Forged bolts, nuts and pins

Bolt assemblies considered as essential for structural and operational safety shall conform to ISO 898 or other recognised standard. Impact energy shall be documented where the bolt size allows a Charpy-V specimen to be taken out, and shall be a minimum of 42J at -20°C (for sub-size specimens see 3.1.1).

Pins used in structural connections shall conform to relevant part of EN 10083 Quenched and tempered steels or other recognized standard.

3.2 Aluminium

The chemical composition, heat treatment, weldability and mechanical properties shall be suitable for the purpose.

When materials of different galvanic potential are joined together, the design shall be such that galvanic corrosion is avoided.

Aluminium used in offshore containers shall be wrought alloys, i.e. be made by rolling or extruding. Aluminium alloys and tempers specified in Table 3-4 and 3-5 can be used. Use of other alloys or tempers will be specially considered.

Table 3-4 Aluminium alloys and tempers for rolled products

Alloy		Temper	Yield strength (N/mm ²)		Tensile strength R_m minimum or range (N/mm ²)
ISO 209-1	AA ¹⁾	ISO/AA	Delivery condition ²⁾ $R_{p0.2}$	Welded (HAZ)	
AlMg2.5	5052	0/0	65	65	165-215
		HAR/H32	130	65	210-260
		HBR/H34	150	65	230-280
AlMg3	5754	0/0	80	80	190-240
		HAR/H32	130	80	220-270
		HBR/H34	160	80	240-280
AlMg3.5	5154A	0/0	85	85	215-275
		HAR/H32	180	85	250-305
		HBR/H34	200	85	270-325
AlMg4	5086	0/0	100	100	240-310
		HAR/H32	185	100	275-335
		HBR/H34	220	100	300-360
AlMg3Mn	5454	0/0	85	85	215-285
		HAR/H32	180	85	250-305
		HBR/H34	200	85	270-325
AlMg4.5Mn	5083	0/0	125	125	275-350
		HAR/H32	215	125	305-380

Table 3-5 Aluminium alloys and tempers for extruded products

Alloy		Temper	Yield strength (N/mm ²)		Tensile strength R_m minimum or range (N/mm ²)
ISO 209-1	AA ¹⁾	ISO/AA	Delivery condition ²⁾ $R_{p0.2}$	Welded (HAZ)	
AlSi0.5Mg	6063	TB/T4	65	65	130
		TF/T6	170	65	205
AlSi1MgMn	6082	TB/T4	110	110	205
		TF/T6	250 (for t ≤ 5 mm)	110	290
		TF/T6	260 (for t > 5 mm)	110	310

1) AA = American Aluminium Association
 2) In calculations, yield strength is not to exceed 70% of ultimate tensile strength

3.3 Non-metallic materials

Timber, plywood, fibre reinforced plastics and other non-metallic materials shall normally not be used in primary structures, but may be used in secondary structures.

Due regard shall be given to strength, durability, suitability and possible hazards caused by use of these materials.

3.4 Material certificates

Materials used for construction of offshore containers shall be furnished with documentation in accordance with Table 3-6. All materials for primary structure shall be identifiable against the certificates.

Table 3-6 Documentation of materials

Structure	Minimum documentation requirements ^{a)}		
	Inspection Certificate Type 3.2 ^{b)}	Inspection Certificate Type 3.1 ^{c)}	Test Report Type 2.2
ISO-corner fittings	X		
Pad eyes	X		
Other primary structural members		X	
Secondary structural members			X

a) Material documentation as defined in EN 10204 (2004)
 b) Certificate issued by DNV or other recognized certifying body. (Equivalent to 3.1C in ISO 10474)
 c) Certificate issued by the manufacturer (Equivalent to 3.1B in ISO 10474)

4. Design

4.1 General

An offshore container shall have sufficient strength to allow loading and unloading in open seas from a ship deck with a sea state up to significant wave heights of 6 m. Consideration shall be given in the design to local impact loads, e.g. from hitting other deck cargo or rigid parts of the ship structure, which may cause extreme loads in such conditions.

April 2006

Guidance note 1:

For containers with special features, additional design requirements may be applicable. Such special features may be related to e.g. additional fittings for other methods of handling or thermal containers with refrigeration machinery, etc.

---e-n-d---of---G-u-i-d-a-n-c-e---n-o-t-e---

Guidance note 2:

If equipment carried in or installed in an offshore container can not withstand the lifting or shock loads, such equipment should be protected or supported on dampers, or the container should be handled only when conditions allow.

---e-n-d---of---G-u-i-d-a-n-c-e---n-o-t-e---

Guidance note 3:

For service containers, it is recommended that the rating, R, is chosen higher than the estimated fitted out mass, i.e. to specify a certain payload even if the container is not intended to carry cargo. This will allow for changes in the amount and mass of equipment fitted in a service container during its operational life, and it will enable the container to carry a certain amount of non-permanent equipment.

---e-n-d---of---G-u-i-d-a-n-c-e---n-o-t-e---

Guidance note 4:

For containers with exposed aluminium, the danger of sparks caused by the impact of aluminium against corroded steel (thermite reactions) should be taken into account. National authorities may have restrictions on the use of aluminium containers on offshore installations.

---e-n-d---of---G-u-i-d-a-n-c-e---n-o-t-e---

4.1.1 Structural design

Containers shall be designed as structural frames (primary structure), with non-load bearing cladding where necessary (secondary structure). Only the primary structure shall be considered in the design calculations.

However, on waste skips with trapezium shaped sides and with open top or only a non-stressed cover above the bracing where the pad eyes are attached, the whole structure may be considered as primary structure, and the skip may be calculated as a monocoque construction.

All connections between frame members and between pad eyes and frame members shall be designed to give good continuity. Where beams of different cross sections meet, they shall normally be aligned as far as possible, and measures shall be taken to minimize stress concentrations on webs or flanges.

Offshore containers may be constructed with partly removable primary structure. Bolted or pinned connections will be specially considered with regard both to strength and securing.

Removable beams, walls or covers shall be secured in such a way that they will not fall off even if a securing device is damaged

4.1.2 Stability against tipping

To prevent the containers from overturning (tipping) on a moving deck, they shall be designed to withstand 30° tilting in any direction without overturning. Cargo may be assumed evenly distributed with centre of gravity at the half height of the container. For dedicated purpose containers with a fixed centre of gravity (e.g. bottle racks, service containers or tank containers) the actual centre of gravity shall be used. If the stability of a container can not be verified through calculations, DNV may require a tilting test, see 4.6.5.

4.1.3 Protruding parts and top protection

Protruding parts on the outside of the container frame that may catch or damage other containers or structures shall be avoided. Minor protrusions on the sides may be allowed after special

consideration. Protective structure or deflector plates may be required at protrusions.

Doors, handles, hatch cleats etc. shall be so placed or protected that they do not catch the lifting set.

Supporting pads and fork pockets may protrude below the bottom frame of containers, but shall have deflector plates to prevent snagging.

Guidance note:

Deflector plates should be designed such that the angle between the outer plane (e.g. of bottom rail or wall) and the free edge of the plate is not more than 35°. Deflector plates on the underside of the container should be placed at, or as near as practical to, the outer edges of the container.

---e-n-d---of---G-u-i-d-a-n-c-e---n-o-t-e---

Padeyes may protrude above the top level of the container frame (see also 4.4.1).

Stacking fittings and guides that protrude above the top of the container frame shall be designed such that the risk of damage to other containers or cargoes from these during lifting operations is minimized. They shall also be designed such that damages to the stacking fittings does not cause damage to the padeyes.

Parts of the permanently attached lifting sets will often hang over the side of the top frame. If containers are designed for stacking, the corners shall be raised above the frame and roof sufficiently to prevent damage to the lifting set.

The top of all open frame containers and of all open top containers with permanent internal fittings, machinery or other installations where crane hooks or forerunners may snag, shall be protected with grating or plates. This may be fixed, hinged or removable. Top protection shall be capable of being secured.

4.1.4 Design temperature

The design air temperature, T_D , shall not be taken higher than the (statistically) lowest daily mean temperature for the area where the offshore container shall operate and shall not be higher than - 20°C.

For containers that are exclusively to be used in areas with temperate climate see Annex 3.

4.2 Structural strength

The required strength of a container is found by calculations and verified by prototype tests, as described in section 4.6.

Guidance note:

Calculation methods may be:

- manual
- using DNV's OffCon program as an aid (This program is available to customers on DNV's Website www.dnv.com)
- 2- or 3-dimensional frame analysis
- Finite Element Methods (on whole frame or special areas, e.g. pad eyes)

See Appendix C for advice on these methods.

---e-n-d---of---G-u-i-d-a-n-c-e---n-o-t-e---

4.2.1 Allowable stresses

For the design loads defined in the following, no equivalent stress level shall (unless otherwise specified) exceed:

$$\sigma_e = 0.85 \times C$$

where σ_e is the Von Mises equivalent stress and C is defined below:

For steel:

$$C = R_e$$

For aluminium:

Base material:

$C = R_{p0.2}$ but not to be taken greater than $0.7 \times R_m$

Weld and heat affected zone:

$C =$ yield strength in the weld and heat affected zone

See Tables 3-4 and 3-5 for yield strength of the approved aluminium qualities.

Note:

The strength of aluminium alloys is considerably reduced in welds and heat affected zones. The reduction depends on material properties, initial tempering and type of product (rolled, extruded). Materials not listed in Tables 3-4 and 3-5 will be considered in each case.

---e-n-d---of---N-o-t-e---

4.2.2 Load distribution

In these calculations, internal loads shall be assumed evenly distributed on the offshore container floor. For tank containers, other containers with permanently mounted heavy equipment and for dedicated purpose containers, the actual distribution of the internal load shall be used in the calculations.

4.2.3 Lifting loads

4.2.3.1 Lifting with lifting set

The design load on the primary structure shall be taken as:

$$F_L = 2.5 \times R \times g$$

To achieve this the internal load shall be taken as $F_i = (2.5 \times R - T) \times g$,

Note:

Calculated deflections should be checked. Reference is made to allowable deflections in prototype tests, see 4.6.3.2.

---e-n-d---of---N-o-t-e---

Pad eyes shall be designed for a total vertical load of:

$$F_p = 3 \times R \times g$$

The load F_p shall be considered as being evenly distributed between $(n - 1)$ pad eyes where n is the actual number of pad eyes. For calculation purposes n shall not exceed 4 or be less than 2.

To find resulting sling force on the pad eyes, the sling angle must be taken into account. Hence, the resulting sling load (RSL) on each pad eye will be:

$$RSL = \frac{3 \times R \times g}{(n - 1) \times \cos v}$$

where v is the angle between a sling leg and the vertical, assumed to be 45° unless a smaller angle is specified.

Guidance note 1:

Containers without roof may have insufficient strength and stiffness to pass the 2 point lifting test (4.6.3.3). In order to avoid building prototypes that will not pass the test, the ability of an open top container to withstand the load occurring in the 2-point lifting test should be checked by a suitable calculation method. In these calculations, the nominal yield stress, R_e , of the material should not be exceeded. The calculations do not replace prototype testing.

---e-n-d---of---G-u-i-d-a-n-c-e---n-o-t-e---

Guidance note 2:

Containers can be excessively flexible without having high calculated stresses. These calculations should therefore also be used

to verify that the deflections (both maximum and relative) will be acceptable.

---e-n-d---of---G-u-i-d-a-n-c-e---n-o-t-e---

Containers with only a single pad eye may be approved after special consideration. The design load for such a pad eye shall be taken as:

$$F_p = 5 \times R \times g$$

For requirements for lifting sets, see Section 8.

4.2.3.2 Lifting with fork lift truck

The mass of the lifting set, S , shall be taken into account when calculating the strength of the fork pockets.

Guidance note:

If S is not known, an estimated mass of the lifting set may be used in the calculations.

---e-n-d---of---G-u-i-d-a-n-c-e---n-o-t-e---

The design load on the primary structure shall be taken as:

$$F_F = 1.6 \times (R + S) \times g$$

To achieve this, the internal load shall be taken as:

$$F_i = [1.6 \times (R + S) - T] \times g$$

Where fork pockets are only intended for empty handling of the container, the design load shall be taken as $F_F = 1.6 \times (T + S) \times g$. For marking of containers with such pockets see 6.1.

4.2.4 Impact loads

Impact loads are dynamic loads of very short duration. Ideally, dynamic calculations or tests should be carried out. However, for most applications it is sufficient to carry out simplified static calculations as outlined below to verify the local strength, and to perform a vertical impact test (see 4.6.4) to verify the container's overall ability to withstand such loads.

When simplified calculations are used, and each beam is considered separately, due consideration shall be given to the support conditions for this beam.

4.2.4.1 Horizontal impact

The main frame structure shall be dimensioned to withstand a local horizontal impact force acting at any point. This force may act in any horizontal direction on the corner post. On all other frame members in the sides the load may be considered as acting at right angles to the side. Where relevant, the calculated stresses shall be combined with lifting stresses. However, only stresses resulting from static lifting loads ($R \times g$) need to be considered.

The following values shall be used for the static equivalents to an impact load:

$$F_{HI} = 0.25 \times R \times g \quad \text{for corner posts}$$

$$F_{HI} = 0.25 \times R \times g \quad \text{for side rails of the bottom structure}$$

$$F_{HI} = 0.15 \times R \times g \quad \text{for other frame members of the side structure, including the top rails}$$

Calculated equivalent stresses shall not exceed:

$$\sigma_e = C$$

C is defined in section 4.2.1

Maximum calculated deflections with these loads shall not exceed:

$$y = \frac{l_n}{250}$$

where:

For corner posts and bottom side rails:

$l_n =$ the total length of the rail or post.

April 2006

For other frame members:

l_n = the length of the shortest edge of the wall being considered

For horizontal impact on tank containers for dangerous cargoes see also 4.5.2.1.

4.2.4.2 Vertical impact

Maximum vertical impact forces are likely to occur when a container is lowered down to a heaving ship deck. If the deck is at an angle, the first impact will be on a corner. Such impact forces can not readily be simulated by static forces. As dynamic calculations will be very complex, it is usually sufficient to verify the strength by a vertical impact test as described in 4.6.4.

In addition, the side rails and end rails in the bottom shall be able to withstand vertical point forces at the centre span of:

$$F_{VI} = 0.25 \times R \times g$$

Calculated equivalent stresses shall not exceed:

$$\sigma_e = C$$

C is defined in section 4.2.1.

Calculated deflections shall not exceed

$$y = \frac{l_n}{250}$$

where:

l_n = the total length of the rail.

4.2.5 Minimum material thickness

The following minimum material thickness requirements apply:

- Those parts of corner posts and bottom rails forming the outside of a container: $t \geq 6$ mm.
However, for containers with a max. gross mass $R \leq 1000$ kg the minimum material thickness shall be 4 mm.
- All other parts of primary structure: $t \geq 4$ mm.
- Secondary structure made from metallic materials: $t = 2$ mm. Secondary structural components used only for protection (e.g. of tanks) must however have sufficient thickness to give adequate protection.
- On waste skips of monocoque design (see 1.4.1c) the minimum thickness within an area of 100 mm from the side edges shall be 6 mm. The remaining parts of the side and bottom structure shall be min. 4 mm.

Note:

The thickness both of primary and secondary structure may have to be increased beyond these values after special considerations. Such considerations may include material used, rating, design, function of the structural component and corrosion allowances.

---e-n-d---of---N-o-t-e---

4.3 Welding

4.3.1 Welding of padeyes

All main welds between pad eyes and the primary frame structure shall always be full penetration welds.

Guidance note:

Fillet welding of additional supporting welds on pad eyes and on Padeye supporting structure may be acceptable after special consideration.

---e-n-d---of---G-u-i-d-a-n-c-e---n-o-t-e---

4.3.2 Welding of other primary structure

Essential and non-redundant primary structural members shall be welded with full penetration welds.

Fork pockets shall be connected to the bottom rails with full penetration welds, but if the fork pockets pass through the bottom rail, fillet welds may be used. For other primary structure, fillet welds may be permitted after special agreement with the Society.

Welding of secondary structure

Secondary structures may be welded with fillet welds. Intermittent fillet welding of secondary structure is acceptable, but measures shall be taken to avoid corrosion if water intrusion could cause problems.

Welds between primary and secondary structures are considered to be welding of secondary structure.

4.4 Design Details

4.4.1 Padeyes

See also Appendix D for guidance on the positioning and design of the pad eyes.

Pad eyes shall not protrude outside the side boundaries of the container, but may protrude above the top of the container.

In order to prevent lateral bending moments on pad eyes, they shall be aligned with the sling to the centre of lift, with a maximum manufacturing tolerance of ± 2.5 degrees.

Any difference in the diagonal measurements between lifting point centres shall not exceed 0.2% of the nominal length of the diagonal, or 5 mm, whichever is the greater.

The diameter of holes in pad eyes shall match the shackle used, clearance between shackle pin and pad eye hole shall not exceed 6% of the shackle pin diameter.

Note 1:

To minimize the danger of the shackle pin seizing in the hole (due to initial tolerances, paint, dirt or other), it is recommended to select nominal shackle size and bore in padeyes as close as practicable to the 6% upper limit

---e-n-d---of---N-o-t-e---

Maximum concentrated hot spot stresses at the hole edges shall not exceed $2 \times Re$ at design load.

Note 2:

A simple method for calculating pad eyes is shown in Appendix D

---e-n-d---of---N-o-t-e---

The thickness of the padeye at the hole shall not be less than 75% of the inside width of the joining shackle.

Guidance note:

When the padeye thickness is below the 75 % limit, it can be increased by welding on cheek plates or by inserting a thick walled pipe or drilled out boss through the padeye. See Appendix D for strength calculations of such structures.

---e-n-d---of---G-u-i-d-a-n-c-e---n-o-t-e---

Padeyes shall be welded to the frame with full penetration welds. If the lifting force is transferred through the thickness of a plate (the z-direction), plates with specified through thickness properties must be used.

4.4.2 Intermediate cargo decks

When intermediate cargo decks are fitted, they shall normally be designed for a uniformly distributed load of at least:

$$F_T = 0.5 \times P \times \psi \times g$$

where Load factor:

$$\Psi = 3.0$$

When intermediate cargo decks are designed only to be used for dedicated cargoes that have other load distribution than half the total payload, the design load requirement may be modified accordingly.

4.4.3 Stacking and stacking fittings

If offshore containers are designed to be stacked onshore or on offshore installations, stacking height shall normally not exceed 2 levels of containers. Waste skips with trapezium shaped sides may be designed for stacking of several units in empty condition.

Stacking guides on top rails or on the underside of a container shall be designed to prevent lateral movement and to prevent tipping of the upper container.

Guidance note:

A static heel angle of 15° should be assumed, and wind pressure on the container side should be taken into account

---e-n-d---of---G-u-i-d-a-n-c-e---n-o-t-e---

Offshore containers that are also certified to CSC and/or ISO 1496 shall in addition be designed for stacking on container ships according to CSC and/or ISO 1496.

See also 4.1.3.

4.4.4 ISO-corner fittings

Offshore freight containers may be fitted with corner fittings according to ISO 1161 at the top and bottom for strengthening and lashing purposes. However, containers shall not be lifted offshore with shackles in these corner fittings.

Guidance note:

It is recommended not to fit ISO corners to the top of offshore containers unless the container have dimensions according to ISO 668.

---e-n-d---of---G-u-i-d-a-n-c-e---n-o-t-e---

4.4.5 Floor

Containers liable to fill with water, e.g. open topped, shall have a suitable drainage facility.

4.4.6 Fork lift pockets

Offshore containers may be fitted with one or more sets of fork lift pockets in the bottom structure.

The minimum opening of the fork lift pockets shall be 200 mm x 90 mm.

Fork lift pockets shall be located such that the container is stable during handling with fork lift truck. Container length, height, width and rating shall be taken into account. Pockets shall be located as far apart as practical. Centre distance shall be at least 900 mm (where possible), but need not be more than 2050 mm.

Guidance note 1:

It is recommended that pockets are located and used according to Table 4-1

Table 4-1 Recommended fork pocket distances and operational limitations		
Container length <i>L</i> (mm)	Min. distance between centres of pockets (mm)	Limitations
$L < 6000$	According to the above requirements.	If $3000 \leq L < 6000$, the pockets for loaded handling should be spaced at least 1500 mm apart.
$6\ 000 \leq L \leq 12\ 000$	2050	Pockets for loaded handling
	900	Pockets for empty handling
$12\ 000 < L \leq 18\ 000$	2050	Empty handling only
$L > 18\ 000$	-	No pockets

---e-n-d---of---G-u-i-d-a-n-c-e---n-o-t-e---

Special requirements apply for fork pockets on tank containers

for dangerous cargoes, see 4.5.2.

Fork pockets shall extend across the full width of the base frame and shall pass through or be attached to the base. If attached to the underside of the base rails, deflector plates shall be used.

Fork pockets shall have closed tops and sides. The bottom face of fork pockets may be fully closed or have partial openings. Openings in bottom plates shall have such size and location as to minimize the risk that the fork tines may penetrate or seize in the opening, or that they damage the free edges at the cut-out is minimized. Openings in the bottom of fork pockets are not allowed in way of the bottom side girders or less than 200 mm from the inside of these girders.

Guidance note 2:

Openings in the bottom of fork pockets will facilitate inspection and maintenance and will reduce the risk of loose items being retained in the pockets which could subsequently fall out during lifting operations. Placing the pockets clear of the ground will reduce the risk of picking up gravel and rocks.

Such openings in the bottom may be damaged by fork lift trucks. This should be taken into account in the design and when inspecting the containers. See also 9.2.2.8

---e-n-d---of---G-u-i-d-a-n-c-e---n-o-t-e---

If a container is fitted with pockets that are only for empty handling, the container shall be marked according to section 6.1.

The shear area in the bottom side rail shall be sufficient taking into account the reduction of vertical shear area in way of the fork lift pockets. If additional strengthening is placed on top of the side girder, this shall be in line with the web(s) of the bottom girder, extend at least 100 mm outside the pocket opening at each end and be welded with full penetration welds.

Guidance note 3:

The area surrounding the fork pocket openings may be damaged by the fork lift truck. Strengthening, protection or guides on the side girders at fork pocket openings may reduce the damages to the side girders.

---e-n-d---of---G-u-i-d-a-n-c-e---n-o-t-e---

4.4.7 Container walls

Each container wall including the doors shall be designed to withstand an internal load of $F_W = 0.6 \times P \times g$ evenly distributed over the whole surface, without suffering any permanent deformation.

4.4.8 Doors and hatches

Doors and hatches including hinges and locking devices shall be designed for at least the same horizontal forces as the primary structure. Locking devices shall be secure against opening of the doors during transport and lifting. Double doors shall have at least one locking device on each door, locking directly to the top and bottom frame.

Locking arrangements shall be protected to prevent dislodgement by impact.

Hinges shall be protected against damages from impact loads.

Doors shall be capable of being secured in the open position.

If weathertightness is required the doors shall be equipped with gaskets.

4.4.9 Internal securing points

Containers for general cargoes shall have internal securing points.

Guidance note:

Normally at least 12 points are recommended. Hinged lashing points are recommended.

---e-n-d---of---G-u-i-d-a-n-c-e---n-o-t-e---

April 2006

Each internal lashing point shall be designed for at lashing forces of least 10 kN.

4.4.10 Tugger points

If tugger points (attachments used for handling without lifting) are fitted, they shall be:

- designed for a load equal to the container rating, R
- attached to the primary structure
- placed as far down on the structure as possible
- placed within the outer edges of the container.

4.4.11 Equipment

Equipment installed in offshore containers shall be designed and installed to withstand the dynamic loading and other environmental forces to which it may be exposed.

The following factors shall be considered:

- Load factor:

$$\Psi = 3.0$$

- Safety factor against breaking:

$$SF = 2.0$$

Permanent equipment installed in a container is considered to be part of the container.

Any external connections, e.g. a supply of pressurised air or electrical connections shall be protected against damage.

4.4.12 Coating and corrosion protection

Offshore containers shall be suitable for the offshore environment by means of construction, use of suitable material and/or corrosion and paint protection.

All offshore container roofs, including those constructed from chequer plate, shall be coated with a permanent non-slip medium.

Guidance note:

Steel:

Surfaces to be painted should be blast cleaned to Sa 2 ½ according to ISO 8501-1

Shop primers should be inorganic zinc/ethyl/silicate based or equivalent.

Paint should have good adhesion, wear resistance and durability

Aluminium:

Surface treatment is normally not required for aluminium

Surfaces to be painted should be blast cleaned to SA 2 ½ with non-metallic material. Primer should be vinyl or epoxy based.

---e-n-d---of---G-u-i-d-a-n-c-e---n-o-t-e---

4.5 Tank containers and bulk containers

Offshore containers for liquid or solid bulk cargoes are subject to international regulations or standards according to this subsection and may also be subject to other codes and requirements.

In addition to the design requirements already specified in preceding parts of this section, the frame shall be designed to also protect the tank and fittings (valves, man-holes etc.). See also 4.1.3 and 4.2.4.

4.5.1 Tank containers

Tank containers for liquids shall be designed and tested according to relevant parts of ISO 1496/3.

4.5.2 Tank containers for dangerous goods

Tank containers for dangerous goods must fulfil the requirements of the IMDG Code Chapter 6.7, and shall be designed according to a recognised code for pressure vessels. A tank and its supports shall be able to withstand lifting and impact loads in addition to dynamic forces as specified in the IMDG code.

Also due account shall be taken of fluid surge arising from partly filled tanks.

Offshore tank containers for dangerous goods shall comply with the following requirements for fork lift pockets on tank containers in the IMDG Code:

“6.7.3.13.4 Forklift pockets shall be capable of being closed off. The means of closing forklift pockets shall be a permanent part of the framework or permanently attached to the framework. Single-compartment portable tanks with a length less than 3.65 m need not have closed off forklift pockets provided that:

.1 the shell and all the fittings are well protected from being hit by the forklift blades; and

.2 the distance between the centres of the forklift pockets is at least half of the maximum length of the portable tank.”

Note:

The IMDG Code (Ch. 4.2) does not allow portable tanks with dangerous cargo to be lifted with fork lift truck unless they are less than 3.65 m long and comply with the quoted subparagraphs .1 and .2 above.

---e-n-d---of---N-o-t-e---

Guidance note:

Where there is a danger of spillage from valves or connections, it is recommended to fit drip pans.

---e-n-d---of---G-u-i-d-a-n-c-e---n-o-t-e---

4.5.2.1 Impact protection on tank containers for dangerous cargoes

On tank containers for dangerous cargoes, all parts of the tank and fittings shall be suitably protected from impact damage. In addition to the requirements of 4.1.3 and 4.2.4, the following applies:

Top

The top of the tank and fittings shall be protected by beams, plates or grating. No part of the tank or fittings shall extend above a level 100 mm below the top of the framework (i.e. the top of the side or end rails).

It shall not be possible for any part of the lifting set to foul on fittings, manhole cleats or other protrusions on the tank.

Sides

Protective beams shall be placed at or near the location where the tank shell is nearest to the outer plane of the sides. Beams shall be spaced sufficiently close to give the necessary protection.

At maximum calculated elastic deflection of any side member, the residual clearance between this member and any part of the tank shell or fittings shall be at least 10 mm.

Bottom

No part of the underside of the tank shell (including sumps) and bottom valves or other fittings, shall extend below a level 150 mm above the bottom of the framework (the underside of the side or end rails). Any such part extending below 300 mm above the bottom of the framework, shall be protected by beams or plating.

Tank containers designed with direct connection between the tank and the side or top frame elements will be subject to special consideration.

4.5.3 Containers for bulk solids

These may be either pressurised tanks or non-pressurised containers for gravity discharge.

The design of bulk containers shall be according to relevant parts of ISO 1496/3 or 1496/4 and shall in addition be suitable for offshore service.

4.5.4 Bulk Containers for solid dangerous goods

Bulk Containers for Dangerous Goods shall comply with the IMDG Code Chapter 6.9.

Only closed bulk containers of type BK 2, as defined in the IMDG code are allowed as offshore bulk containers for dangerous goods.

Bulk containers shall be siftproof, i.e. shall not leak any fine grained cargo.

The tank or shell, filling and discharge devices etc. shall be so constructed and arranged as to be protected against the risk of being wrenched off or damaged during transport and handling.

The filling and discharge devices shall be capable of being secured against unintended opening. Protection arrangements will be specially considered.

4.6 Prototype testing

4.6.1 Introduction

The tests described in 4.6.3 and 4.6.4 are required for all offshore container types, and shall be considered as design requirements. Prototype tests shall be witnessed by DNV.

Note:

Prototype testing may not replace design review, but may in certain cases be a partial substitute for strength calculations. The container used for type testing should be a prototype as defined in 1.4.7.

---e-n-d---of---N-o-t-e---

The tare mass (excluding lifting set) shall be verified by weighing before tests are performed. If the tare mass deviates from the estimated value, the payload shall be adjusted accordingly.

The test masses shall normally be evenly distributed inside the prototype.

Guidance note 1:

Where steel or concrete weights are used it is advised that these are placed on wooden battens to get more even load distribution and prevent damage to the floor.

---e-n-d---of---G-u-i-d-a-n-c-e---n-o-t-e---

If it is not possible to place all the test mass inside the offshore container, some of it may be placed outside or under, provided that this gives a loading on the structure similar to the distribution on the offshore container loading at the actual condition.

If the container has an additional cargo deck, the test load shall normally be evenly divided between the bottom floor and the additional deck, see 4.4.2. If the additional deck is removable, it will be necessary to carry out the testing with the test load divided between the additional deck and the floor, as well as with the whole test load on the bottom floor.

Guidance note 2:

If the additional deck is close to either the top or bottom of the container, other test load distributions than described above may be considered.

---e-n-d---of---G-u-i-d-a-n-c-e---n-o-t-e---

NDT of important welds shall be carried out after prototype testing is completed.

Service containers should be tested before they are fitted out with insulation and equipment.

Guidance note 3:

It is advisable to make a conservative estimate of the Max. Gross Mass for a service container. Retesting of service containers which turn out to be heavier than the estimated value will be expensive and time consuming if it has to be stripped of insulation and equipment.

---e-n-d---of---G-u-i-d-a-n-c-e---n-o-t-e---

4.6.2 Test equipment and calibration

4.6.2.1 Test mass and or test load

The test mass (or test load) shall be verified using calibrated weights or a calibrated load cell (with handset or direct read-out).

Note:

Examples of appropriate means of application of test mass/ test load are:

- calibrated test blocks
- water bags
- sand bags
- free weights
- a suitable test rig.

---e-n-d---of---N-o-t-e---

4.6.2.2 Calibration

If a load cell and hand set is used it shall be calibrated annually, in accordance with EN ISO 7500-1, or other recognized standard to an accuracy of $\pm 2\%$

Note:

Should a load cell be overloaded or receive a shock load (e.g. from being dropped) it is recommended that the load cell and handset be re-calibrated before further use.

---e-n-d---of---N-o-t-e---

Where used, test blocks shall be calibrated, as a minimum, every second year in accordance with acceptable international or national standards. The measured mass, in kilograms, of each block shall be legibly and durably marked on each block.

Note:

Care should be taken in the storage of calibrated concrete blocks so as prevent the absorption of water having an influence on the actual block mass.

---e-n-d---of---N-o-t-e---

4.6.3 Lifting tests

4.6.3.1 General

The container shall be lifted by a lifting set with an angle to the vertical equal to the design angle. It shall be carefully lifted in such a way that no significant acceleration forces occur. It shall be held for 5 minutes before measurements are taken.

Note:

Where a lifting set intended for regular use on the container is used at the lifting test, care should be taken to ensure that no overloading, deformation or distortion is induced in the lifting set. It should be visually inspected after the load test.

---e-n-d---of---N-o-t-e---

4.6.3.2 All point lifting

The prototype shall be loaded up to a total gross mass of $2.5 \times R$. The test load may be obtained by putting in an internal test mass of $(2.5 \times R - T)$.

No deflections during testing shall be greater than $1/300$ of the span of the member. The container shall show no significant permanent deformations or other damages after testing.

April 2006

Guidance note:

In order to allow free deflection of all parts of the container, it should normally be lifted clear of the ground. Test jigs that allow free deflection will be specially considered.

---e-n-d---of---G-u-i-d-a-n-c-e---n-o-t-e---

4.6.3.3 2-point lifting (Diagonal lifting test)

Offshore containers with four pad eyes shall also be lifted from only two pad eyes, situated diagonally opposite each other, with a total mass of $1.5 \times R$. This can be achieved by loading it with an internal test mass of $(1.5 \times R - T)$. If the container is unsymmetrical two diagonal lifting tests will be required.

After the testing there shall be no significant permanent deformation.

Guidance note:

Elastic deformations during lifting should also be observed. The DNV surveyor should ensure that elastic deformations are acceptable.

---e-n-d---of---G-u-i-d-a-n-c-e---n-o-t-e---

4.6.4 Vertical impact test

The container, with its internal test mass corresponding to payload P , shall be either lowered or dropped on to a workshop floor of concrete or other rigid structure. This floor may be covered with a sheeting of wood planks with thickness not exceeding 50 mm.

Note:

If the offshore container is lowered from a crane, the suspending wire and hook may dampen the impact compared to a free-fall drop test. Therefore the impact speed should be greater if a lowering test is used.

---e-n-d---of---N-o-t-e---

In both cases, the offshore container shall be so inclined that each of the bottom side and end girders connected to the lowest corner forms an angle of not less than 5° with the floor. However, the greatest height difference between the highest and lowest point of the underside of the offshore container corners need not be more than 400 mm.

The impacting corner shall be the one expected to have the lowest rigidity. (On closed dry cargo containers this will normally be at the door end.)

No significant permanent damage shall occur. Small cracks in welds and minor deformations may be repaired.

Only one of the following tests is required:

4.6.4.1 Alternative 1: Drop test

Internal load equal to payload (P) shall be sufficiently secured and the offshore container shall be inclined as above. See illustration of drop test in Appendix F.

The offshore container shall be suspended from a quick release hook. When released, the offshore container shall drop freely for at least 5 cm, to give it a speed at initial impact of at least 1 m/s.

4.6.4.2 Alternative 2: Lowering test

Internal load equal to payload (P) shall be sufficiently secured and the offshore container shall be inclined as detailed above.

The offshore container shall be lowered to the floor at a constant speed of not less than 1.5 m/s.

Note:

Warning: These tests may cause considerable tremors in a building!

---e-n-d---of---N-o-t-e---

4.6.5 Other tests

Other tests may be required. These shall be agreed in advance with the Society. When applicable, the method of testing shall as far as possible be in accordance with tests described in relevant ISO standards for freight containers.

Open top containers with an overall length of 6.5m or more, with fork pockets designed for loaded lifting, shall be loaded to a total uniform gross mass of $1.6(R+S)g$ and lifted clear of the ground using the fork pockets. No deflections during testing shall be greater than $1/300$ of the span of the member. The offshore container shall show no permanent deformation or other damage after testing.

Example of other tests that may be required :

- internal load on walls, doors or removable sides
- 30° tilt test
- fork pocket lift test
- internal restraint tests on tank containers.

Tanks for dangerous cargoes shall in addition be tested according to the requirements of the IMDG Code.

5. Production**5.1 General**

Production shall be performed according to approved drawings, specifications and procedures.

The manufacturer shall present a quality plan for acceptance before production starts. Relevant production documents (see 5.5) shall also be presented for acceptance before start of production.

The manufacturer shall ensure the quality of procedures and facilities by implementing a Quality Management System at least in accordance with ISO 9001. The Quality Management System shall be to the Society's satisfaction. DNV may perform an audit at the manufacturer to verify the Quality Management System and that they are qualified to manufacture containers according to this Standard for Certification.

Guidance note 1:

If the Quality Management System at a manufacturer is not fully satisfactory, DNV can consider if certification of containers is still possible, provided the scope of DNV surveys is adjusted accordingly.

---e-n-d---of---G-u-i-d-a-n-c-e---n-o-t-e---

Guidance note 2:

It is recommended that a meeting is arranged between the manufacturer and DNV before the start of production of any new container type, to agree on production and inspection procedures.

---e-n-d---of---G-u-i-d-a-n-c-e---n-o-t-e---

5.2 Primary structure

During production, and on the finished product, it shall be possible to identify the materials used for the primary structure with the corresponding documentation. If the marking is not visible on the finished product, a log shall be kept of the components to identify and ensure traceability of the materials.

5.2.1 Approved Welders

Welders shall be approved by the Society according to a recognised standard, e.g. EN 287-1, EN 287-2, ASME Boiler and pressure vessel code section IX or ANSI/AWS D1.1.

Where certification of welders is performed by other IACS (International Association of Classification Societies) members or independent organisations, e.g. accredited or nationally approved certification bodies, recognition of such certification will be evaluated on a case by case basis. The Society reserves

the right, however, to require verification of welder’s qualifications when deemed necessary. Such verification may include testing prior to production, extra NDE and/or welding production tests.

5.2.2 Welding procedures

Approved welding procedures shall be used for the welding to be carried out on the primary structure.

Preliminary welding procedure specifications shall form the basis for the preparation of welding procedure tests.

Welding procedure specifications, welding procedure qualification tests and approval of welding procedures shall be in accordance with relevant parts of EN ISO 15614-1, DNV Rules for Classification of Ships, Pt.2 Ch.3 Sec.2 or other recognised standard (e.g. ANSI/AWS D1.1) and with the requirements stated below.

Impact tests are required as part of the welding procedure qualification tests. Test temperatures and test results shall comply with the requirements given in 3.1.1.

Note:

The rules and standards specify a range for which a welding procedure is valid, depending on material, thickness, position etc. The impact test temperature should be the temperature applicable for the largest thickness covered by the WPS (ref. Table 3-1).

---e-n-d---of---N-o-t-e---

5.2.3 Inspection of welds

Welds shall be subject to visual inspection and non-destructive examination (NDE). Unless otherwise agreed in an MSA, all welds shall be 100 % visually inspected.

NDE methods should be chosen with due regard to the conditions influencing the sensitivity of the methods and to the welding method used. Structural welds shall be examined as stipulated in columns I and II in Table 5-1 after production testing. Inspections as stipulated in columns III and IV or other inspections will be decided by the Society’s surveyor in each case.

If welding is by oxyacetylene process (oxyfuel welding), ultrasonic and radiographic examination shall be required in addition to magnetic particle examination.

The specified percentages refer to the total length of weld for each structural assembly in question. The categories of the structural members shall be agreed with the Society in each case.

CATEGORY OF MEMBER	Type of examination			
	I	II	III	IV
Primary Structure: Essential/ Non-redundant	100 %	100 % ³⁾	100% pad eyes 20 % all other	10 %
Primary Structure: Non-essential	100 %	20 %	20%	10%
Secondary structure	100%	SPOT ⁴⁾	SPOT ⁴⁾	SPOT ⁴⁾

1) Dye penetrant examination shall be used where magnetic particle examination is not possible.
 2) Depending on material thickness and accessibility for UT equipment
 3) This amount of NDE need not be applied to welds between fork pockets and floor plates or intermediate structure between these. The extent of NDE on these welds will be decided by the Society’s surveyor in each case.
 4) Spot means random examination to the discretion of the surveyor

5.2.4 NDE procedures and NDE operators

5.2.4.1 Non-destructive examination (NDE) methods

NDE methods shall be according to Table 5-2, or to DNV’s Rules for Classification of Ships, Pt.2 Ch.3 Sec.7 or other recognised standards.

Visual	Magnetic particle	Dye Penetrant	Ultrasonic	Radiography
EN 970	EN 1290	EN 571-1	EN 1714	EN 1435

5.2.4.2 Weld acceptance criteria

The soundness of welded joints shall comply with Table 5-3, or with DNV’s Rules for Classification of Ships, Pt.2 Ch.3 Sec.7 or other recognised standards.

Visual	Magnetic Particle	Dye Penetrant	Ultrasonic	Radiography
EN ISO 5817 ^a	EN 1291	EN 1289	EN 1712	EN 12517
Level B	Level 1	Level 1	Level 2	Level 1

^a for aluminium EN 30042

The stipulated acceptance criteria may in certain cases be modified or made more severe, to the Society’s discretion, depending on the local stress conditions and the limitations of the NDE-methods to determine location and size of defects.

5.2.4.3 Non-Destructive Examination (NDE) Operators

NDE Operators shall be certified according to a national certification scheme or have qualifications accepted by the Society to a similar level.

They shall be qualified, in accordance with EN 473, to a minimum of level 2, or to an equivalent level according to other recognized standards.

NDE operators shall undertake non-destructive examination in accordance with Table 5-1 and issue reports describing weld quality, containing at least the following information:

- the NDE methods and procedures used
- the NDE-parameters necessary for a proper assessment
- acceptance standard used
- confirmation of acceptance or rejection
- clearly distinguish between accepted and rejected welds
- the number of repairs carried out to meet the specified acceptance standard
- NDE operator’s level of qualification.

5.3 Secondary structure

Secondary structure shall prevent cargo from falling out of the container and, if required, prevent water from entering the cargo. Manufacturing procedures shall reflect this.

Welds between primary and secondary structures shall be performed as for secondary structures and shall be examined as such.

The welding procedures used for secondary structure shall be according to the relevant part of EN 288, ISO 15614-1 or other recognised standard.

Welds on secondary structures shall be examined as stipulated in Table 5-1. The qualifications of NDE operators and the NDE methods shall be to the satisfaction of the Society’s surveyor.

5.4 Production testing

5.4.1 Lifting test

During production, some offshore containers shall be strength tested. An all point lifting test as described in 4.6.3.2 shall be

April 2006

carried out. The number of offshore containers to be tested shall be agreed in advance and will depend on the total number in the production series. Offshore containers for testing shall be chosen at random after the production of a batch is finished.

Table 5-4 may be used as a guide for the surveyor to decide the number of offshore containers to be tested.

Total number in series	Number to be tested ¹⁾
1 – 5	1
6 – 10	2
11 - 20	3
21 – 40	4
≥ 40	10%

1) This may include the prototype test.

5.4.2 Weatherproofness testing

If a type of offshore containers is specified to be weathertight, the following weathertightness tests shall be carried out:

For the prototype and 10% of the containers in a production series, this testing shall be done with water as described in ISO 1496/1, (see 6.14), "Test No. 13 Weatherproofness".

For the remaining containers, the water test may be replaced by a simple light test, using the following procedure:

An inspector will enter the container. The doors are then closed, at least 3 minutes should elapse to allow the inspector to become accustomed to the darkness, before a powerful light is shone on all external surfaces.

The offshore container shall be free from any observable light penetration.

5.5 Production documentation

The certification of each container type shall be based on the following documentation, which shall be retained by the manufacturer for at least 5 years:

- Approved drawings, including a general arrangement drawing
- Structural calculations
- Type approval certificate (where relevant)
- Material documentation
- Welding procedure qualifications (WPQ)
- Welding procedure specifications (WPS)
- Welder's qualification certificates
- Report on traceability of materials in the primary structure
- Report from manufacturing inspection
- Report from dimensional control
- Report from non-destructive examination (NDE).
- Report from prototype testing
- Report from production testing
- Report from final inspection.

The various reports may be combined as practical.

Parts of this documentation shall be collated in an "As Built" dossier which shall be delivered with the container. (One dossier may cover a batch of identical units.)

The "As Built" dossier shall at least include:

- General arrangement drawing
- Material documentation
- Welding procedure specifications (WPS)
- Report on traceability of materials
- Report from manufacturing inspection
- Report from dimensional control
- Report from non-destructive examination (NDE).
- Report from production testing
- Report from final inspection
- DNV's certificate for offshore containers (form 49.07).

5.6 Inspection and certification

The production inspection required by 2.3 shall include:

- Dimensional control
- Visual inspection of weld preparation, welding, alignment, material marking etc.
- Review of material certificates
- Review of WPS/WPQ, Welders Qualification Tests, welding consumables
- Review of equipment documentation as necessary
- Review of NDE documentation and report
- Review of the marking and plating required by Section 6 and Section 7.

When the surveyor has carried out the manufacturing inspection, witnessed testing and reviewed the production documentation:

- a "Certificate for Offshore Container" (Form No. 49.07a) will be issued
- the Society's numbered emblem for offshore containers will be affixed to the container
- *AV* or *XV* and the certificate number will be hard stamped into the bottom frame below the emblem.

Note:

Part 1 of Form 49.07a must be filled in and signed. Owner information and details of the lifting set should also be entered in Part 2 if these data are available at the time the container is certified. It should be noted that the certificate is only valid when the container is fitted with lifting sets approved by DNV.

---e-n-d---of---N-o-t-e---

For offshore tank containers certified for dangerous goods the dossier shall also include DNV's tank container certificate (form no. 49.04).

For offshore service containers certified to DNV's Standard for Certification 2.7-2, DNV's service container certificate (form no. 59.01a) and any other documentation required by DNV 2.7-2 shall also be included.

6. Marking

6.1 Safety marking

The tops of closed containers and the top rails of open and framed containers shall be marked to clearly delineate their perimeter, particularly in poor light. This marking shall be as follows:

- a) a band of solid contrasting colour not less than 100 mm wide round the roof perimeter of closed containers; if the roof of the container is recessed below the top perimeter rail, at least the top surface of the top rail shall be marked.
- b) open and framed containers, shall be marked with either hatching in a contrasting colour on the top rails or the top rail shall be a solid light colour.

Where a container is fitted with fork pockets designed for handling the container when empty only (e.g. on some tanks and long baskets) then the words "Empty Lift Only" shall be clearly displayed near each set of fork pockets in characters not less than 50mm high.

Aluminium Containers shall be marked "ALUMINIUM CONTAINER" on all four sides in letters at least 75 mm high. See Guidance 4 in 4.1

Other safety markings that may be required by the Society shall be in characters not less than 50 mm high.

6.2 Identification and Certification Markings

The manufacturer's serial number shall be welded on the container structure in characters at least 50 mm high

Each container shall also be marked with a container number issued by the owner as a unique identification which should be the common cross-reference on in-service certification and shipping documentation.

This container number shall be prominently displayed on all sides of the container in characters of a contrasting colour, not less than 75mm high.

Note:

For open side containers it may be necessary to attach panels specifically to carry the container number.

---e-n-d---of---N-o-t-e---

If a container has a roof, the container number shall be displayed on the roof, in characters at least 300 mm high, or less if space is limited. The marking shall be carried out in such a way as to avoid incorrect interpretation (e.g. by underlining). Where applicable the lower edge of the marking shall be positioned near the side of the container in which the door is located.

The container number may be changed by the owner or if the ownership changes. In this case the marking shall be changed, the inspection plate be changed or replaced and the certificate revised.

For certification marking applied by DNV, see 5.6.

6.3 Information Markings

Information marking shall normally be placed on a door if the container has end doors, or in other prominent place on the side of containers without such doors.

Each container shall be clearly marked, in characters at least 50mm high of contrasting colour, with:

- Maximum gross mass (in kg)
- Tare mass (in kg)
- Payload (in kg).

Guidance note:

On each container, a matt black square of sufficient size should be provided for information markings such as destination, cargo hazard etc.

When the owner is a leasing or rental company, the words "on hire to" may appear across the top to identify the user.

---e-n-d---of---G-u-i-d-a-n-c-e---n-o-t-e---

Note:

When an offshore container is transporting dangerous goods, it must be marked with placards in accordance with the IMDG Code. The placarding for dangerous goods should be according to the IMDG Code Chapter 5.3. There should be sufficient space for a placard on the black panel. (Placards are diamond shaped, 250x250 mm.) These placards must be removed when the container no longer contains dangerous goods.

---e-n-d---of---N-o-t-e---

If applicable, a container shall be clearly marked with relevant electrical hazard classification and zone marking according to ATEX Directive (94/9/EC)

6.4 Marking of Lifting Set

The lifting set and its components shall be marked as described in Section 8.

6.5 Other Marking

The user of the container may add additional information marking such as owner's name etc. However, to avoid misinterpretation additional marking should be kept to a minimum.

If the container is fitted with an intermediate deck the payload of the deck shall be displayed on the inside of the container in a position where it is clearly visible at all times, in characters of a contrasting colour not less than 50 mm high.

Note:

Offshore containers are not covered by the EU Machinery Directive, and CE marking is not required on offshore containers, but lifting sets should be CE marked in accordance with the Machinery Directive.

---e-n-d---of---N-o-t-e---

7. Plating of containers

7.1 General

Containers shall be fitted with a data plate and an inspection plate. Plates shall be made of corrosion resistant material securely attached externally in a manner designed to avoid unauthorised or accidental removal. The plates shall be fitted to an end door, or, on containers with no such doors, in a prominent position.

Aluminium rivets have been found to be unsuitable as a fixing method in the offshore environment and shall not be used.

The information on the plates shall be in the English language; (provision for a second language may be made at the option of the owner).

The text shall be permanently and legibly marked on the plates in characters not less than 4 mm in height.

Note:

The data plate and the inspection plate may be combined into one plate.

---e-n-d---of---N-o-t-e---

The data plate shall not be removed from the container, but if the plate is becoming illegible it may be replaced by an identical plate. The inspection plate may be replaced when there is no more space to record inspections.

7.2 Data Plate

The plate shall be headed

"OFFSHORE CONTAINER DATA PLATE
DNV 2.7-1"

Guidance note:

This marking may be combined with marking according to EN 12079-1 thus:

"OFFSHORE CONTAINER DATA PLATE
DNV 2.7-1/EN 12079-1"

---e-n-d---of---G-u-i-d-a-n-c-e---n-o-t-e---

The data plate shall contain the following information:

- a) Name of manufacturer.
- b) Month/year of manufacture.
- c) Manufacturer's serial number.
- d) Maximum gross mass (Kg) at the design sling angle.
- e) Tare mass (Kg).
- f) Payload (Kg) and intermediate deck payload (if applicable).
- g) DNV certificate number and DNV stamp (ref. 5.6)
- h) Design temperature.

A recommended format for the data plate is shown in Figure 7-1.

April 2006

OFFSHORE CONTAINER DATA PLATE*		
DNV 2.7-1		
Name of manufacturer:		
Month/year of manufacture:		
Manufacturer's serial no:		
Maximum gross mass:	Kg at	° sling angle
Tare mass:	Kg	
Payload: Container	Kg	
Intermediate deck	Kg	
Certificate no:		
Design Temperature:		°C

* See also Guidance at the top of 7.2

Figure 7-1
Information plate

7.3 Inspection plate

The plate shall be headed

"OFFSHORE CONTAINER INSPECTION PLATE"
DNV 2.7-1

Guidance note:

This marking may be combined with marking according to EN 12079-3 thus:

"OFFSHORE CONTAINER INSPECTION PLATE
DNV 2.7-1/EN 12079-3"

---e-n-d---of---G-u-i-d-a-n-c-e---n-o-t-e---

The plate shall contain the following information:

- a) Owner's container number (see 6.2)
- b) Owner's name
- c) Date of last inspection

To avoid confusion, the plate shall not carry the date of the next inspection. Provision shall be made on the plate to facilitate permanent marking to record a minimum of 9 inspections.

A recommended format for the inspection plate is shown in Figure 7-2:

OFFSHORE CONTAINER INSPECTION PLATE*		
DNV 2.7-1		
Container No.:		
Maximum gross mass:		
Inspections:		

* See also Guidance at the top of 7.3

Figure 7-2
Inspection plate

At each periodic or other inspection, this plate shall be marked as described in 9.2.

Guidance note 1:

Users of containers should regard the data plate as prima facie evidence of certification status.

---e-n-d---of---G-u-i-d-a-n-c-e---n-o-t-e---

Guidance note 2:

Containers with less than 30 days currency of certification should not be shipped to any offshore installation, except by prior agreement with the shipper.

---e-n-d---of---G-u-i-d-a-n-c-e---n-o-t-e---

8. Lifting Sets

8.1 General requirements

The lifting set (chain or wire rope slings and shackles) shall be specially designed for use on offshore containers, and shall normally not be removed from the container except for replacement.

The slings shall be attached to the pad eyes on container by shackles. Shackle bolts shall be secured to prevent unwanted opening of the shackle.

Note:

When a service container or other offshore container is installed for an extended period on an offshore installation, the lifting set may be removed for the duration of the installation period.

---e-n-d---of---N-o-t-e---

When a lifting set on a container is replaced, the new set shall be made to the original specification or equivalent and certified and marked accordingly.

8.2 Approval and certification of lifting sets

Only lifting sets approved and certified by the Society shall be used on certified offshore containers. Lifting sets and components shall be tested according to the applicable standards.

Certification of lifting sets and components may either be based on type approval or on individual approval by the Society.

Type approval shall be according to Annex 1 "Type Approval of Lifting Sets for Offshore Containers".

If lifting sets or components are type approved and made by a manufacturer who has a Manufacturing Survey Arrangement with the Society, the manufacturer may issue the certificates. Otherwise the certificates shall be issued by the Society.

Note 1:

If lifting set certificates are also issued by agents for a manufacturer, these lifting certificates should contain references to the manufacturer's certificate and to DNV's type approval.

---e-n-d---of---N-o-t-e---

Lifting sets and components shall comply with a recognized standard and with the additional requirements given in this section. Design, testing and certification shall be according to the specified standard.

Note 2:

Lifting sets for offshore containers certified according to this section are generally also considered to be loose lifting equipment and this should be reflected in the certificates. Where appropriate, the lifting set should be CE marked.

---e-n-d---of---N-o-t-e---

8.3 Design of lifting sets

Slings shall be rated for their intended angle of use. In all cases four leg slings shall be rated as for three leg slings. Normally the sling leg angle from vertical for two and four leg slings should be 45°, but smaller angles can be used. In no case shall a sling be designed with an angle of the sling legs to the vertical larger than 45.

In order to facilitate handling and improve safety, it is often advisable to use an extra (top) leg with a ring and or link above the master link. The top link should be sized to facilitate hooking on to a crane forerunner.

Note:

It is recommended that the master link to be attached to the crane hook should have minimum internal dimensions 270 x 140 mm.

---e-n-d---of---N-o-t-e---

The lifting set shall be of sufficient length to allow easy handling by operators. The top link or master link shall be able to reach down to a height of no more than 1.3 m above the container bottom when the sling hangs over the long side of the container.

Where two 2-legged slings are selected to function as a 4-legged sling, they shall be calculated as for a 4-legged sling. See also 8.6 for special marking requirement.

Note:

When 2 separate 2-legged slings are used, the angle from vertical is not the same as the angle between the 2 parts.

---e-n-d---of---N-o-t-e---

The allowable tolerances of shackles to pad eyes are given in 4.4.1.

Appendix E contains examples on how to select lifting slings and lifting set components for both standard and non-standard lifting sets. This appendix also includes tables with working load limits for single, two and four leg chain and wire rope slings.

8.3.1 Dimensions and Strength of Lifting Sets

To allow for the dynamic amplification that will be experienced in offshore lifting in adverse weather and sea states, the minimum working load limit, WLL_{min} of the lifting sets for offshore containers shall be determined for the lifting set and each of its components according to the requirements below.

Table 8.1 shall be used for determination of the minimum working load limit, WLL_{min} for lifting sets. In this table the rating of a container is multiplied by an enhancement factor to give an enhanced requirement for the working load limit. This enhancement factor reflects the additional dynamic loads in offshore lifting. The enhancement factor is higher for light containers because light containers are subject to the most severe dynamic amplification. For containers with rating up to 2000 kg the WLL_{min} has not been calculated using an enhancement factor, but instead the minimum value given in Table 8-1 shall be used.

Table 8-1 Determination of Working Load Limit		
<i>Rating (kg)</i>	<i>Enhancement factor</i>	<i>Minimum required Working Load Limit (WLL_{min}) (t)</i>
500	-	7.00
1000	-	7.00
1500	-	7.00
2000	3.500	7.00
2500	2.880	7.20
3000	2.600	7.80
3500	2.403	8.41
4000	2.207	8.83
4500	1.962	8.83
5000	1.766	8.83
5500	1.766	9.71
6000	1.766	10.59
6500	1.733	11.26
7000	1.700	11.90
7500	1.666	12.50
8000	1.633	13.07
8500	1.600	13.60
9000	1.567	14.10
9500	1.534	14.57
10000	1.501	15.01
10500	1.479	15.53
11000	1.457	16.02
11500	1.435	16.50
12000	1.413	16.95
12500	1.391	17.38
13000	1.368	17.79
13500	1.346	18.18
14000	1.324	18.54
14500	1.302	18.88
15000	1.280	19.20
15500	1.267	19.64
16000	1.254	20.06
16500	1.240	20.47
17000	1.227	20.86
17500	1.214	21.24
18000	1.201	21.61
18500	1.188	21.97
19000	1.174	22.31
19500	1.161	22.64
20000	1.148	22.96
20500	1.143	23.44
21000	1.139	23.92
21500	1.135	24.39
22000	1.130	24.86
22500	1.126	25.33
23000	1.121	25.79
23500	1.117	26.25
24000	1.112	26.70
24500	1.108	27.15
25000	1.104	27.59

Note:

The enhancement factors are only included in Table 8-1 for information purposes. They are only used for calculating the WLL_{min} values in the last column, and are not necessary for any other calculations.

---e-n-d---of---N-o-t-e---

April 2006

The enhanced WLL_{min} value from Table 8-1 is used to determine the nominal size of each part of the lifting set, and applies for all components and configurations, i.e. for single, two and four leg lifting slings with any angle, for shackles, links and couplings

For intermediate container ratings the working load limit values may be interpolated.

8.3.1.1 Standard lifting sets

Four leg Chain or wire rope slings

Slings with legs 45 to the vertical. Forerunners (5th leg) are calculated as single legs.

Slings shall be selected from a recognized standard for lifting slings or from a DNV type approval certificate, and shall have WLL at least as big as the WLL_{min} from Table 8-1. Appendix E includes tables with WLL for chain and wire rope slings based on EN 818-4 and EN 13414-1.

Shackles

The minimum working load limit of each shackle (WLL_s) shall be calculated as given in Table 8-2 where WLL_{min} is determined from Table 8-1

Table 8-2 Minimum shackle working load limit (WLL_s)		
Required Minimum shackle WLL_s		
4 legged sling	2 legged sling	Single leg sling
$WLL_{min} / (3 \times \cos 45^\circ)$	$WLL_{min} / (2 \times \cos 45^\circ)$	WLL_{min}

Shackles shall be selected from a recognized standard for shackles or lifting components or from a DNV Type Approval certificate, and shall have WLL at least as big as the WLL_s from Table 8-2.

8.3.1.2 Non-standard Lifting sets

Each component of a lifting set may be individually calculated. This may be necessary if the sling leg angle is other than 45°, if the sling is asymmetric or if non-standard components are used.

Note:

The sling leg is not necessarily the weakest part of the lifting set. If sling leg angle is < 45° from the vertical, the load on each leg is reduced, and it may be possible to use a smaller chain or wire rope dimension. However, the load on the master link assembly is not reduced. Consequently, it may be necessary to assemble a special sling. See examples 2 and 3 in Appendix E.

---e-n-d---of---N-o-t-e---

The required Working Load Limit for each component in 2 and 4 leg lifting sets can be determined from the formula:

$$\text{Required WLL} = WLL_{min} / (n \times \cos \beta)$$

This can be expressed in the following table.

Table 8-3 Minimum working load limit (WLL_s) for sling leg components and shackles		
Required minimum WLL_s for sling leg components and shackles		
4 legged sling	2 legged sling	Single leg sling
$WLL_{min} / (3 \times \cos \beta)$	$WLL_{min} / (2 \times \cos \beta)$	WLL_{min}

where:

$$WLL_{min} = \text{as determined from Table 8-1}$$

$$\beta = \text{the angle of the sling leg to the vertical}$$

Components (chain, wire rope, shackles, links, and couplings) with the required WLL_s shall then be selected from a recognized standard or from DNV type approval certificates

For single leg lifting sets, forerunners and master links, the required $WLL = WLL_{min}$

If a wire rope sling shall be designed based on the properties of

a wire rope, this can be calculated as shown in Appendix E, example 3. Thimbles and ferrules of the appropriate size for the wire rope dimension shall be used.

8.3.2 Lifting set components

8.3.2.1 Chain Slings

Chain slings shall be according to EN 818-4 grade 8 or other recognized standard. Other grades may be accepted after special consideration.

8.3.2.2 Wire rope slings

Wire rope slings shall be according to EN 13414-1 or other recognised standard.

Wire rope grade 1770 or 1960 shall be used. The working load limit may be determined based on the specified rope grade.

Wire rope shall be 6-stranded and of type 6x19 or 6x36 and may be fibre cored or steel cored.

The terminations of wire rope legs shall be ferrule secured eyes with thimbles, and comply with EN 13411 - 3 or other recognised standard.

Guidance note:

As an aid to inspection, ferrules which permit the tail end of the rope to be visible are recommended.

---e-n-d---of---G-u-i-d-a-n-c-e---n-o-t-e---

8.3.2.3 Shackles

Shackles shall be according to EN 13889 or EN 1677-1, or other recognised standard. with the additional requirements:

- the minimum breaking force for shackles shall not be taken as less than 5 times the WLL
- the tolerance on the nominal diameter of the shackle pin shall be -1/+3 %.

Note:

Shackles are normally separate components from the chain or wire rope slings, and are often supplied separately from these. Shackles are considered as part of the lifting sling if assembly secured. (See also 9.3.1.)

---e-n-d---of---N-o-t-e---

Shackles shall be of bolt type with hexagon nut and split pin. Screw pin shackles shall not be used.

Guidance note:

On existing containers where location and design of pad eyes are such that it is not possible to use shackles with nut and split pins, screw pin shackles may be used. They should be secured to prevent unintentional withdrawal.

---e-n-d---of---G-u-i-d-a-n-c-e---n-o-t-e---

8.3.2.4 Couplings

Couplings for mechanical assembly of slings can be certified after special consideration. Such Couplings shall be designed only for opening with special tools, and the bolt shall be of a design that can not be replaced by standard bolts intended for other purposes.

Hinged type couplings shall not be used.

Note:

This restriction is to prevent the coupling from seizing in the folded condition and subsequently failing when forced straight under load.

---e-n-d---of---N-o-t-e---

8.4 Materials

Steels shall comply with the material requirements of the recognised standard, have good ductility at low temperatures, and

be able to withstand dynamic loads.

Steels in chains, links, shackles and couplings shall be impact tested by the Charpy impact (V-notch) method in accordance with 3.1.1. The impact test temperature shall be equal to the design air temperature T_D and the minimum average impact energy shall be 42J. However, for welded components (chains, links etc.) it shall be sufficient only to take impact test samples in the weld with the notch centred in the fusion line. The position of the weld shall be accurately identified by etching with a suitable reagent before cutting the notches. The minimum average impact energy of the weld shall be 27 J.

Materials in wire ropes, ferrules and thimbles shall be in accordance with applicable standards.

Galvanising shall only be carried out under the control of the manufacturer of the component.

Materials used in each separate component of the lifting set (e.g. chains, bows and bolts for shackles, links and wire ropes) shall be supplied with traceable works material certificates (inspection certificates, type 3.1) according to EN10204,

Other items such as thimbles and ferrules shall be supplied with material certificates according to EN10204, test report type 2.2.

8.5 Certificates for lifting sets and components

The certificates required by 8.2 for lifting sets and lifting set components shall contain the information specified in the relevant product standard, together with that specified in 8.5.1 or 8.5.2 as appropriate.

The lifting set certificate numbers should normally be entered on page 2 of the offshore container certificate and the certificates attached to the container certificate. However, if the owner or operator has a system for keeping track of each container and lifting set, other procedures may be used.

8.5.1 Sling certificates

Certificates for chain or wire rope slings shall at least include the following information:

- manufacturer's name, mark and location
- date of issue for the certificate (preferably in ISO format: YYYY-MM-DD)
- sling certificate number
- reference to DNV type approval certificate when relevant
- description of the sling, including unique identification number or mark; reference to each single component's unique identification mark (if new components are installed before re-certification reference to previous certificate number and the new components unique identification mark)
- nominal size and length of the sling
- working load limit (WLL) together with the designed angle to the vertical for multi-leg slings
- date of sling manufacture or re-certification
- confirmation that the sling described has been designed, manufactured and tested in accordance with Standard for Certification 2.7-1
- signature of the DNV inspector, and the manufacturer when the certificate is issued under an MSA agreement with DNV.

In addition:

- for wire rope slings, the grade of terminal fittings and the rope together with information about which standard the sling conforms to;
- for chain slings, the grade mark together with information about which standard the sling conforms to. For chain slings assembled by welding, cross reference to the results of any final testing of mechanical properties after heat treatment;

- for assembly secured slings, reference to the certificates for the shackles.

Appendix J shows an example of how a certificate for lifting slings may look.

8.5.2 Component certificates

Certificates for chains, shackles, master links and master link assemblies and couplings shall at least include the following information:

- manufacturer's name, mark and location
- date of issue for the certificate (preferably in ISO format: YYYY-MM-DD)
- certificate number
- reference to DNV type approval certificate when relevant
- description of the component
- information about which standard the sling conforms to
- reference to material certificates or material specification including chemical composition and mechanical properties
- results from tests specified in the relevant product standard and this Standard for Certification
- record of the unique identification number or mark carried by the component
- signature of the DNV inspector, and the manufacturer when the certificate is issued under an MSA agreement with DNV.

Appendix K shows an example of how a certificate for lifting set components may look.

8.6 Marking of lifting sets

The various components in the lifting set shall be marked according to the applicable standard.

Shackles shall be indelibly marked with a unique identification.

Note:

Such marking must be applied using "low stress" stamps, the height of which should be a minimum of 5 mm, and positioned away from areas of highest tensile stress i.e. applied to the straight section of the body adjacent to the eye.

---e-n-d---of---N-o-t-e---

Slings shall be marked with an identification tag permanently attached to the top assembly of the sling. An example is shown in Figure 8-1. The tag shall be made of metal with the marking permanently embossed or stamped. The tag shall be 8-sided for grade 8 chain slings and round for wire rope slings. The text shall be permanently and legibly marked on the tags in characters not less than 4 mm in height.

Where two 2 leg slings are selected to function as a 4 leg sling, both shall be marked as a 4 leg sling.

Marking on tags for chain and wire rope slings shall include:

- when applicable: the CE mark
- reference to this Standard for Certification¹⁾
- the certificate number and, if applicable, the unique identification number of the sling²⁾
- the number of legs
- diameter of chain or wire rope used, including the top leg where fitted
- WLL of the lifting set
- maximum angle of the sling legs from the vertical
- identification number of each shackle.

- 1) This marking shall be "DNV 2.7-1"

The marking may be combined with marking according to EN 12079-1 thus: "DNV 2.7-1/EN 12079-1"

- 2) Since one certificate may cover several lifting sets, it may be necessary to include both the certificate

April 2006

number and a unique identification number to get a unique identification.

For inspection marking on the tag at periodic surveys see 9.4.2. An example of an identification tag for a chain sling is shown below.

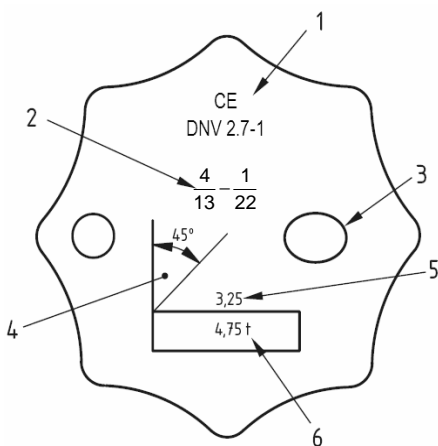


Figure 8-1
Example of identification tag for a chain sling – Front of identification tag.

- 1) CE mark and Reference to this Standard for Certification
- 2) 4 legs of 13mm, 1 forerunner of 22mm (example)
- 3) Manufacturer’s mark
- 4) Sling angle
- 5) Shackle size
- 6) WLL

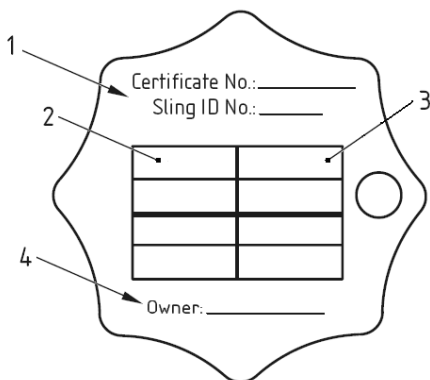


Figure 8-2
Example of identification tag for a chain sling – Back of identification tag

- 1) Certificate number (and unique identification number if applicable)
- 2) Column 1: inspectors mark, inspection suffix and date of periodic inspections (shall be of format YY-MM-DD)
- 3) Column 2: shackle ID number
- 4) The owner’s name may optionally be included

9. Periodic examination, tests and repairs

9.1 General

The basic conditions for maintaining the validity of container

certificates are given in 2.5.

It is the responsibility of the owner or an appointed representative to retain current certification for each container, to arrange for periodic inspection, to record substantial repairs, modifications or changes in identification etc., and to maintain adequate records to ensure traceability.

Note:

If a container has not been in use and has exceeded its periodic inspection date, it should be inspected before it is taken into use. The same applies for offshore service containers that have remained in service on an offshore installation past the due inspection date.

---e-n-d---of---N-o-t-e---

Before carrying out a periodic examination or test, the inspector should refer to the initial certificate and, if possible, to the last inspection report.

9.2 Inspection, test and repairs on containers

9.2.1 Schedule of examination and tests

Containers shall be periodically examined and tested in accordance with the schedule listed in Table 9-1. The inspector may require other or additional tests and examinations, and dismantling if considered necessary.

Note:

National authorities may have stricter requirements for periodical inspections.

---e-n-d---of---N-o-t-e---

When a lifting test is required, the non-destructive testing and thorough visual examination shall both be carried out after the lifting test.

Time or interval	Type of Inspection			
	Lifting test as described in 4.6.3.2	NDE of pad eyes ²⁾	Visual inspection	Suffix to be marked on inspection plate
At intervals not exceeding 12 months	NA	NA	Yes	V
At intervals not exceeding 48 months	NA	Yes	Yes	VN
After substantial repair or alteration ¹⁾	Yes	Yes	Yes	T

1) A substantial repair or alteration means any repair and/or alteration carried out, which may, in the opinion of the surveyor, affect the primary elements of the offshore container, or elements which contribute directly to its structural integrity.
2) Including supporting structure if relevant.

Suffix T: to indicate proof load test, non-destructive examination, and visual examination.

Suffix VN: to indicate non-destructive examination and visual examination.

Suffix V: to indicate visual examination only.

Offshore tank containers for Dangerous Goods shall in addition to the above be inspected by the Society or another authorised inspection body in accordance with the IMDG-code.

9.2.2 Visual inspection

9.2.2.1 General

The visual inspection shall be of the exterior and the interior of

the container without cargo to ensure that the container is fit for use. All load bearing parts, especially the base structure, shall be inspected. For containers with fixed equipment, the inspector shall determine whether access to load bearing parts is adequate.

The inspection shall be carried out in a situation providing sufficient lighting and other facilities necessary to allow it to be carried out safely and effectively. The facility shall include suitable means of lifting and supporting the container for the purposes of inspecting the under-side.

9.2.2.2 *Markings*

The markings and plates shall be checked to ensure that they meet the requirements of this Standard for Certification and other relevant regulations and standards.

9.2.2.3 *Welds*

Welds in the primary structure shall be visually inspected to ensure freedom from visible defects.

9.2.2.4 *Pad eyes and lashing points*

All pad eyes and lashing points shall be visually inspected for distortion, mechanical damage or any other sign of distress or overload.

9.2.2.5 *Structure*

The structure shall be visually inspected for corrosion, mechanical damage or injurious deformation.

9.2.2.6 *Door closures*

Doors, frames, seals, hinges, locks, etc shall be visually inspected and functionally checked to ensure that they operate in a satisfactory manner without undue force being required.

9.2.2.7 *Floor*

The floor to check that it is not deformed and that it shows no signs of distress or overload. Drainage facilities, where fitted, shall be inspected, drain holes shall be clear of debris.

9.2.2.8 *Fork pockets*

Fork pockets shall be visually inspected inside.

Guidance note:

Fork pockets are usually not painted inside and may be heavily corroded. Fork pockets with openings in the bottom plate may be damaged by fork lift trucks. This should be taken into account when inspecting the fork pockets.

---e-n-d---of---G-u-i-d-a-n-c-e---n-o-t-e---

9.2.3 Non-destructive testing

NDE to be carried out according to the requirements in 5.2.4.

9.2.4 Repairs and modifications of containers

After renewal or substantial repair of damaged parts of the primary structure of a container, it shall be recertified. This may include strength testing. Renewal or repair of damaged parts shall be carried out using approved manufacturing procedures and materials which are at least equivalent to the original

The repair shall be noted on the certificate and the repair report should be attached to the certificate as an Appendix.

If a container is rebuilt, repaired with different materials or profiles with different cross sections or otherwise significantly modified (including increased rating), it shall be re-approved, new prototype tests according to 4.6 may be required and a new certificate shall be issued. The old certificate shall be marked "Deleted" and attached to the new certificate.

9.2.5 Marking of the inspection plate

On satisfactory completion of the examination and/or test(s), the inspection plate, described in 7.3, shall be marked with the date of inspection, the inspectors mark and the relevant suffix

as detailed in Table 9-1.

9.3 Inspection, test and repairs on lifting sets

9.3.1 Schedule of examination and tests

Lifting sets shall be inspected at intervals not exceeding 1 year in accordance with the schedule listed in Table 9-2. The inspector may require other or additional inspections, examinations or tests.

On satisfactory completion of the examination, the inspector shall check that the lifting set is marked as described in section 8.6

When the schedule requires a load test, any non-destructive examination and visual inspection shall be carried out after the load test.

Shackles that are not assembly secured may be inspected independently of the lifting sling. Shackles that are assembly secured shall be inspected as part of the lifting sling. See also 9.4.

Table 9-2 Schedule of examination and tests of lifting sets for offshore containers					
Time or interval	Applicable to	Type of Inspection			
		Load test	Non-destructive examination	Visual inspection	Suffix to be marked on sling tag
At intervals not exceeding 12 months	Complete lifting set	NA	NA	Yes	V
At intervals not exceeding 48 months	Sling components and joining links excluding legs	Either NDE or load test (test according to applicable standard)		Yes	
	Chain sling legs	Either NDE or load test		Yes	VN or T
	Shackles	NA	NA	Yes	V
After substantial repair or alteration	Complete lifting set	Yes	Yes	Yes	T

Suffix T: to indicate proof load test, non-destructive examination, and visual examination.

Suffix VN: to indicate non-destructive examination and visual examination.

Suffix V: to indicate visual examination only.

9.3.2 Load testing of chain sling legs

Load testing of chain sling legs A test load equal to 2 x WLL of a single leg rated in accordance with EN 818-4 (Table 3) +/- 2 %, shall be applied to each leg without shock. The load shall be applied for a minimum of 2.5 minutes before measurements are taken.

9.3.3 Non-destructive examination of sling components except wire rope legs

Magnetic particle examination shall be carried out according to the requirements in 5.2.4.

9.3.4 Visual inspection of the lifting set

The inspection shall be carried out in a situation providing sufficient lighting and other facilities necessary to allow it to be carried out safely and effectively.

9.3.5 Chain and wire rope slings and components.

Inspection of chain and wire rope slings and components shall be carried out in accordance with EN 818-6 and 13414-2 as applicable.

April 2006

9.3.6 Shackles

Shackles shall be visually inspected.

9.3.7 Marking of the lifting set tag

On satisfactory completion of examination and/or test(s), the sling identification tag, described in 8.6, shall be marked in column 1 on the back of the identification tag, with the date of inspection, the inspectors mark and the relevant suffix as detailed in Table 9-2.

If shackles are replaced, column 2 on the back of the tag shall be revised or the tag replaced.

9.4 Inspection, test and repairs on tank containers

Offshore tank containers that are certified for dangerous goods according to the IMDG code are subject to 5-year periodic inspections and tests, and to intermediate 2.5-year periodic inspections and tests.

Such inspections and tests, which can only be carried out by DNV or other authorised certifying bodies, shall include the tank, its fittings and accessories, the container frame and its lifting set and the data plates and markings. Items which are normally to be inspected are listed on DNV Form 49.05a, Tank container/Portable tank Inspection report/Renewal certificate.

9.5 Inspection reports

When, in the opinion of the inspector, a container and its lifting set is suitable for service, an Inspection Report shall be issued. If containers and lifting sets are inspected separately, separate reports may be used, and if shackles that are not assembly secured are inspected separately from the lifting sling, another

report may be used for the shackles.

The inspection reports shall be attached to the container certificate or be inserted in the "As Built" dossier.

The inspection report shall show at least the following information:

- a) container/lifting set identification (including owner's container number)
- b) owner's name, or delegated nominee
- c) Certificate number
- d) date and number of the preceding certificate of examination, name of person who issued it and of the employer
- e) the total gross mass in kilograms applicable to the all points lifting test and the method of test (where relevant)
- f) details of NDE carried out (where relevant)
- g) a statement that the container/lifting set described was thoroughly examined and that the particulars are correct
- h) reference where appropriate to any report issued to the owner arising from the test/inspection process
- i) confirmation that the Inspection Plate/Lifting Set Tag was marked
- j) date of inspection (date of report also to be shown if different from date of inspection)
- k) the DNV mark and the signature and unique identification mark of the inspector.

Appendix A

List of References

A.1 Standards for Containers

- DNV Standard for Certification No. 2.7-2 - Offshore Service Containers
- DNV Rules for certification of Freight Containers
- prEN 12079-1 - Offshore containers and associated lifting sets – Part 1: Offshore container - Design, manufacture and marking
- prEN 12079-2 Offshore containers and associated lifting sets – Part 2: Lifting sets - Design, manufacture and marking
- prEN 12079-3 Offshore containers and associated lifting sets – Part 3: Periodic inspection, examination and testing
- ISO 668 - Series 1 freight containers – Classification, dimensions and ratings
- ISO 1161 – Series 1 freight containers – Corner fittings – Specification
- ISO 1496-1 - Series 1 freight containers - Specification and testing - Part 1: General cargo containers for general purposes
- ISO 1496-3 - Series 1 freight containers - Specification and testing - Part 3: Tank containers for liquids, gases and pressurized dry bulk
- ISO 1496-4 - Series 1 freight containers - Specification and testing - Part 4: Non-pressurized containers for dry bulk

A.2 International Regulations

- CSC - The International Convention for Safe Containers
- IMDG Code - The International Maritime Dangerous Goods Code
- MSC/Circ.860 - Guidelines for the approval of offshore containers handled in open seas
- ATEX 94/9/EC Directive - Equipment intended for use in Potentially Explosive Atmospheres
- Code of safe practice for the carriage of cargoes and persons by offshore supply vessels (OSV code),

A.3 Standards for Materials

- EN 10002-1 - Metallic materials - Tensile testing - Part 1: Method of test (at ambient temperature)
- EN 10025 - Hot-rolled products of non-alloy structural steels - Technical delivery conditions
- EN 10113-1 - Hot-rolled products in weldable fine grain structural steels - Part 1: General delivery conditions
- EN 10113-2 - Hot-rolled products in weldable fine grain structural steels - Part 2: Delivery conditions for normalized/normalized rolled steels
- EN 10113-3 - Hot-rolled products in weldable fine grain structural steels - Part 3: Delivery conditions for thermo mechanical rolled steels
- EN 10045-1 - Metallic materials - Charpy impact test - Part 1: Test method
- EN 10088 - Stainless steels - Part 1: List of stainless steels
- EN 10164 - Steel products with improved deformation properties perpendicular to the surface of the product - Technical delivery conditions
- EN 10204 - Metallic products - Types of inspection documents
- EN 10210-1 - Hot finished structural hollow sections of non-alloy and fine grain structural steels. Technical delivery requirements
- EN 10219-1 - Cold formed welded structural sections of non-alloy and fine grain steels. Technical delivery requirements

- EN 10250-2 - Open die steel forgings for general engineering purposes - Part 2: Non-alloy quality and special steels
- EN 10250-3 - Open die steel forgings for general engineering purposes - Part 3: Alloy special steels
- EN ISO 7500-1 - Metallic materials. Verification of static uniaxial testing machines. Tension/compression testing machines. Verification and calibration of the force-measuring system
- ISO 209-1 - Wrought aluminium and aluminium alloys - Chemical composition and forms of products - Part 1: Chemical composition
- ISO 630 - Structural steels -- Plates, wide flats, bars, sections and profiles
- ISO 1161 - Series 1 freight containers - Corner fittings - Specification
- ISO 3755 - Cast carbon steels for general engineering purposes
- ISO 10474 - Steel and steel products -- Inspection documents

A.4 Standards for Welding and Welders

- EN 287-1 - Approval testing of welders - Fusion welding - Part 1: Steels
- EN 1011-1 - Welding - Recommendations for welding of metallic materials - Part 1: General guidance for arc welding
- EN 1011-2 - Recommendations for welding of metallic materials - Part 2: Guidance for ferritic steels
- EN ISO 5817 - Welding. Fusion-welded joints in steel, nickel, titanium and their alloys (beam welding excluded). Quality levels for imperfections
- EN ISO 9606-1 - Approval testing of welders - Fusion welding - Part 1: Steels
- EN ISO 9606-2 - Approval testing of welders - Fusion welding - Part 2: Aluminium and aluminium alloys
- EN ISO 15614-1 - Specification and qualification of welding procedures for metallic materials - Welding procedure test - Part 1: Arc and gas welding of steels and arc welding of nickel and nickel alloys
- EN 30042 - Arc-welded joints in aluminium and its weldable alloys. Guidance on quality levels for imperfections
- ANSI/AWS D1.1 - Structural Welding Code - Steel
- ASME Boiler and Pressure Vessel Code Section IX - Welding and brazing qualifications

A.5 Standards for Inspection and NDE

- EN 473 - General principles for qualification and certification of NDT personnel
- EN 970 - Non-destructive examination of fusion welds - Visual examination
- EN 571-1 - Non-destructive testing. Penetrant testing. General principles
- EN 1289 - Non-destructive examination of welds. Penetrant testing of welds. Acceptance levels
- EN 1290 - Non-destructive examination of welds. Magnetic particle examination of welds
- EN 1291 - Non-destructive testing of welds. Magnetic particle testing of welds. Acceptance levels
- EN 1435 - Non-destructive examination of welds. Radiographic examination of welded joints
- EN 1712 - Non-destructive examination of welds. Ultrasonic examination of welded joints. Acceptance levels
- EN 1714 - Non-destructive examination of welds - Ultrasonic examination of welded joints
- EN 12517 - Non-destructive examination of welds. Radiographic examination of welded joints. Acceptance levels

April 2006

A.6 Standards for Lifting sets

- EN 13411 - Terminations for Steel wire ropes - Safety - part 3: Ferrules and ferrule securing
- EN 13414-1 - Steel wire rope slings - Safety - part 1: Wire rope slings
- EN 13414-2 - Steel wire rope slings - Safety - part 2: Safety criteria and inspection procedures
- EN 13889 - Forged steel shackles for general lifting purposes - Dee shackles and bow shackles - Grade 6 - Safety
- EN 1677 - 1 Components for slings - Safety - Part 1: Forged steel components - Grade 8
- EN 1677 - 4 Components for slings - Safety - Part 4: Links, Grade 8
- EN 818-4 - Short link chain for lifting purposes - Safety - Part 4: Chain slings - Grade 8
- ISO 2415 Forged shackles for general lifting purposes — Dee shackles and bow shackles

- US Federal Specification RR-C-271 - Shackles. Type IV, Class 6

A.7 Various

- ISO 9001 - Quality management systems -- Requirements
- ISO/IEC 17020 - General criteria for the operation of various types of bodies performing inspection
- DNV Rules for Classification of Ships
- BS 8118 pt. 1 - Structural use of aluminium - Code of Practice for design
- ISO 8501-1 - Preparation of steel substrates before application of paints and related products -- Visual assessment of surface cleanliness -- Part 1: Rust grades and preparation grades of uncoated steel substrates and of steel substrates after overall removal of previous coatings
- ISO 898 - Mechanical properties of fasteners

Appendix B

Example of Offshore Container

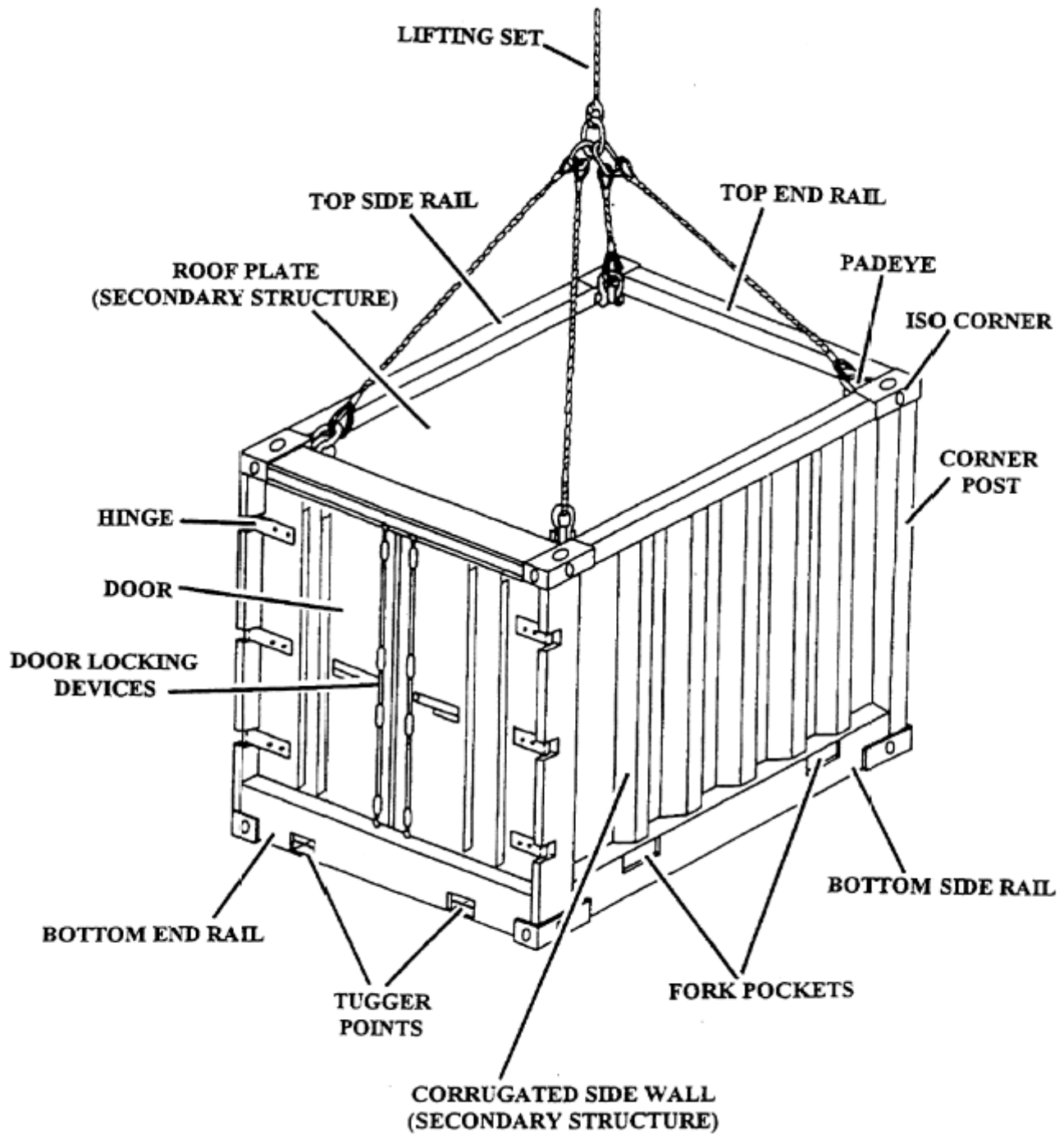


Figure B-1
General cargo container

April 2006

Appendix C

Guidelines and Examples on Strength Calculations

C.1 Calculation of the Frame

Since secondary structures (walls, roof) are not to be included in the strength calculations, a preferred way to check the overall strength of the container is to make a three dimensional beam model. If FEM modelling is used, only primary structure members should be included.

Before generating the model it must be considered what structural elements to include. This should basically be the primary structure of the unit as defined in 1.4.5.

Special considerations must be taken e.g. if there are removable beams, doors, top rails etc, or if they are bolted or discontinuous. A good procedure is to calculate the strength without taking the removable items into account. An evaluation of how the deflections of the remaining structure will influence the removable structure/locking mechanisms should then be performed. If the removable structure is included in the strength calculation, careful consideration about the ability to transfer forces and moments should be taken before calculation/modelling.

Depending on the geometry, special details may also have to be verified using local models or manual calculations based on output generated from the result file e.g. FEM or detailed calculations.

The model should be loaded as realistically as possible. Where equipment with a specific footprint shall be installed, point

loads may be used in beam models. (In FEM models, loads describing the footprints may be used.) Otherwise the load should be evenly distributed on the beams.

In order to load the container as realistically as possible, the lifting set should also be included in the model. Elements which are not able to transfer bending moments should be used. (Hinged ends or beams with moment of inertia close to zero)

The boundary conditions applied to the model are important in order to achieve good results. These should be considered for each container and each load case individually. But as a general rule, for 4-point and 2-point Load Cases, the container should only be fixed at the lifting point. Loads shall be applied where applicable. For some element programmes, to make the matrix equations solvable, spring supported boundary conditions for transformation in x and y directions in bottom corners may be used See Figure C-1. For symmetrically loaded containers, this will influence the results to a very small degree. For containers with asymmetric loads, the centre of gravity must be in line with the lifting point.

Remember always to check that the reaction force in lifting points conforms to the specified total load.

Example:

	<i>x-trans.</i>	<i>y-trans.</i>	<i>z-trans.</i>	<i>x-rot.</i>	<i>y-rot.</i>	<i>z-rot.</i>
Lifting point	fixed	fixed	Fixed	free	Free	Free
Bottom corners	k=10N/mm	k=10N/mm	Free	free	Free	Free

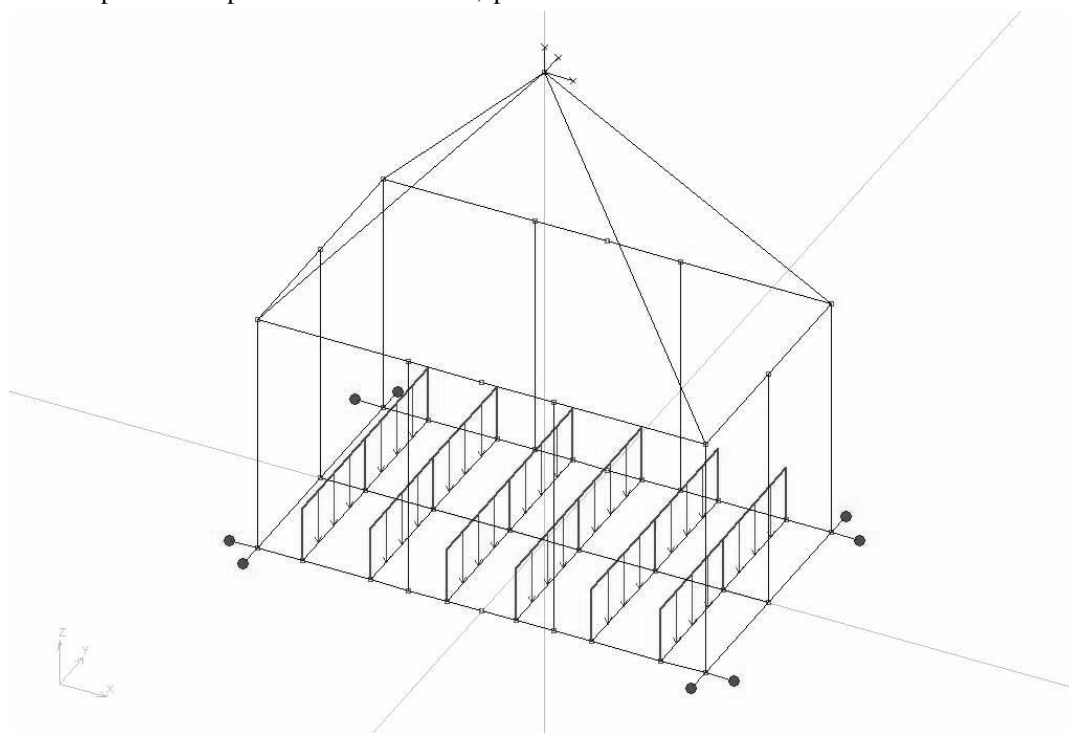


Figure C-1
4-point lifting

C.2 Calculation of the Shear Stress at Fork Pockets in Bottom Side Rail.

Shear force may induce cracking in the side girder due to the reduction of shear area in the side rail because of the fork pocket. When lifted from pad eyes, the vertical shear area in the web above and below the fork pocket must be sufficient to take the shear force. But generally more critical for design is when the container is lifted from fork pockets. Then only the vertical

area in the side rail web above the fork pockets will be effective. It is therefore important that sufficient vertical shear area is left in the side rail webs in way of the fork pockets. When there is not sufficient shear area above the fork pockets, additional vertical shear area must be added, e.g. as shown in Figure C-2.

NB! The area in the top and bottom flanges should not be included as shear area in the shear stress calculation.

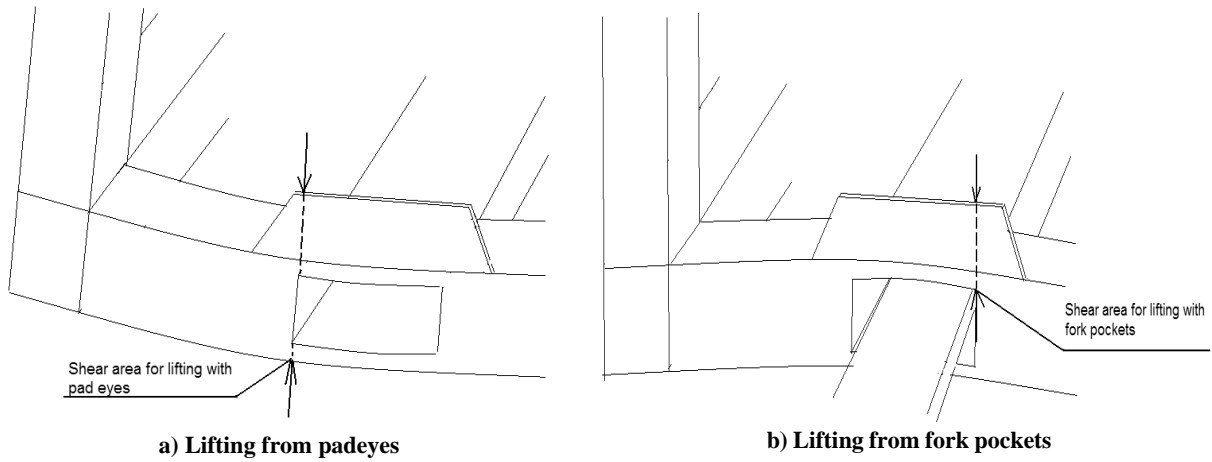


Figure C-2
Shear area at fork pockets

Example C-1: Lifting from pad eyes

$$\tau = \frac{F}{A_{shear}}$$

where

- F = Shear Force in side rail at fork pocket (Loading to be based on the applicable ψ)
- A_{shear} = Vertical area above and below each fork pocket
- ψ = load factor for 4-point lifting = 2.5

C.3 Calculation of Wall and Door plates

As stated in 4.4.7 walls and doors should be able to withstand an internal load of $F_w = 0.6 \cdot P \cdot g$ evenly distributed over the whole surface, without suffering permanent deformation.

For some containers it may be considered necessary to verify the strength (e.g. for large unstiffened panels). Depending on

geometry and support, applicable formulas for flat plates would be acceptable.

For containers with corrugated walls, a stiffener with equivalent section modulus Z , as the corrugation with spacing s can be made for calculation purposes (See Figure C-3).

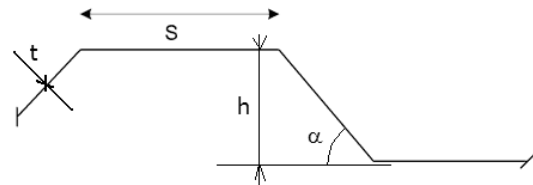


Figure C-3
Corrugated panel

$$Z = \frac{h \cdot t}{2} \left(\frac{h}{3 \cdot \sin \alpha} + s \right) \text{ cm}^3$$

where h,t and s are in cm

April 2006

Appendix D

Design of Padeye

In addition to the basic requirements in 4.4.1, the designer of an offshore container should take the following into account:

D.1 Padeye Position

The pad eyes should be positioned on the container to preclude, as far as practicable, the risk of slings fouling against the container or its cargo during normal use. Pad eyes should be so designed as to permit free movement of the shackle and sling termination without fouling the pad eye. They should as far as possible be designed to avoid damage from other containers.

Pad eye that are placed vertically and aligned towards a central point can normally accommodate variations in sling angles, i.e. a lifting set with the legs 45° from vertical can be replaced with a longer lifting set, giving a smaller angle to the vertical without any adverse effect on the pad eyes or the container. If the pad eyes instead are positioned at an angle to the vertical, they can not accommodate any variation in the sling angle and the legs must always be of exactly the right length.

Containers that are designed to have the centre of gravity offset from the geometric centre may be fitted with lifting sets of asymmetric length, so that the container will hang horizontally when lifted. If the lifting set is asymmetric, the pad eyes must be aligned towards the lifting centre.

D.2 Design

Pad eye that are partly slotted into primary structure members are generally considered to be preferable, but other designs will also be considered for approval.

The pad eye design must take into account the size and shape of the shackles that are going to be used. Once the pad eye has been designed, only one size of shackle will fit.

Since shackles come in standard sizes, the designer should determine the size of the shackles to be used before designing the pad eyes. He must take into account the thickness of the shackle pin, the inside width and length of the shackle and the free space needed to fit the shackle.

Dee or bow (omega) shackles are usually designed according to one of the common standards used internationally (EN 13889, US Federal Specification RR-C-271 or ISO 2415). However, some shackle manufacturers use their own standards, with different design and sizes of shackles. Standard shackle sizes according to EN 13889 are given in the following table.

Nominal WLL (tonnes)	Pin diameter* (mm)	Inside width at pin (mm)	Inside length of Dee shackles (mm)	Inside length of Bow shackles (mm)
3.25	19	27	47	57
4.75	22	31	52	65
6.5	25	36	65	76
8.5	28	43	74	88
9.5	32	46.5	83	101
12	35	51.5	87	108
13.5	38	57	104	126
17	42	60	115	139
25	50	74	139	168

* According to 8.3.2.3 the shackle pins shall have a tolerance of -0/+3 % on the diameter.

Note:

The rated WLL of shackles of the same size may vary due to the use of materials of different strength. EN 13899 is for shackles of Grade 6, but is it also possible to design shackles according to e.g. EN 1677-4 (for forged lifting components of grade 8) in combination with the standard sizes listed above.

---e-n-d---of---N-o-t-e---

Since screw pin shackles are not allowed (see 8.3.2.3), the pad eyes must be located such that there is sufficient space to fit shackles with pin, nut and split cotter pins.

D.3 Pad eye strength

According to 4.4.1, the max. concentrated stresses at the bolt hole (geometry effects and contact stress) should be below 2 x minimum specified yield stress, i.e. 2 x Re, at the design load. The method outlined below can be used to determine the minimum size of a pad eye which satisfies this requirement:

edges shall not exceed 2 x Re at design load.

More refined methods can of course be used if an optimised pad eye design is required. In such cases the calculations should be submitted with the approval documentation.

The two following criteria should be fulfilled:

<p>1. Tear-out stress</p> $Re \geq \frac{3 \times RSL}{2 \times H \times t - D_H \times t}$ <p>2. Contact stress</p> $Re \geq 23.7 \times \sqrt{\frac{RSL}{D_H \times t}}$	
<p>Figure D-1 Padeye</p>	

where:

Re = minimum specified yield strength of the pad eye material in N/mm²

RSL = resulting sling load in N

H = the shortest distance from centre of bolt hole to edge of pad eye in mm

D_H = bolt hole diameter in mm

t = pad eye thickness in mm

Equation 1 is verifying that the stress level at the edge of the bolt hole is acceptable, assuming a stress concentration factor of 3.

Equation 2 is the formula for peak compressive stresses at the contact line between two concentric cylinders of steel, with a difference in diameter of 6 %.

If fillet welded cheek plates are used to obtain the pad eye thickness required in 3.4.1 (clearance between pad eye and inside of shackle) these should not be taken into account in equation 1. The contact stress criterion may be calculated using the total thickness of pad eye and cheek plates.

Appendix E Calculations of lifting sets

As an aid to those who need to select lifting sets according to Section 8 of this Standard for Certification, this Appendix includes some examples on calculating and selecting various types of lifting sets for offshore containers. It also includes tables with WLLs for chain and wire rope slings at various leg angles, based on standard chains and wire ropes.

E.1 Examples of Calculations

Example 1:

Selecting a standard lifting set: Chain sling (45°) with fore-runner

Choosing a chain sling and shackles for a container with Maximum Gross Mass, R = 12 tonnes, with a four leg sling, angle of legs 45°.

Chain dimensions:

- From Table 8-1, find $WLL_{min} = 16.95$ tonnes
- From Table E-1, column for four leg slings with 45°, select a WLL value of at least 16.95 tonnes
- Find chain dimension for legs in the left column, 16 mm
- From Table E-1, column for single leg, select a WLL value of at least 16.95 tonnes
- Find chain dimension for forerunner in the left column, 25 mm

Shackle dimension:

- From Table 8-1, find $WLL_{min} = 16.95$ tonnes
- From Table 8-2, find WLL_s

$$WLL_s = \frac{16.95}{3 \cdot \cos 45^\circ} = 7.99 \cdot \text{tonnes}$$

- Select a shackle with a WLL of at least 7.99 tonnes, either from a standard (e.g. EN 13889) or from a DNV Type Approval certificate (which can be found on the following internet address <http://exchange.dnv.com/tari/>)

Standard chain slings are normally assembled by welding, and the sizes of master links and quad assemblies (i.e. master and intermediate links) for standard chain slings are selected by the chain sling manufacturer.

Example 2:

Assembling a non-standard a lifting set: Chain sling with 30° leg angle, with forerunner

Assemble a chain sling for a container with Maximum Gross Mass, R = 7.5 tonnes, with a four leg sling, angle of legs 30° from vertical.

Required data:

- Max. Gross Mass: R = 7500 kg
- Sling leg angle: $\beta = 30^\circ$
- Configuration: Four legs with forerunner
- Type of sling: Chain sling

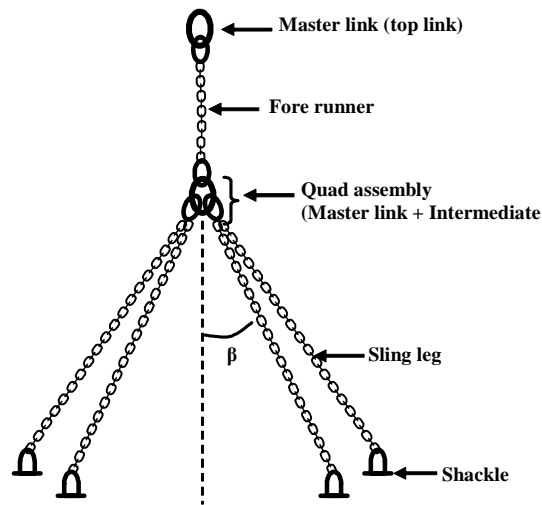


Figure E-1
Four legged Chain Sling Lifting Sling with Fore runner

Master link dimension:

- From Table 8-1, find $WLL_{min} = 12.50$ tonnes
- Select a master link with a WLL of at least 12.50 tonnes, either from a standard (e.g. EN 1677-4) or from a DNV Type Approval certificate

Forerunner dimension:

- From Table 8-1, find $WLL_{min} = 12.50$ tonnes
- From Table E-1, column for single leg, select a WLL value of at least 12.50 tonnes
- Find chain dimension for forerunner in the left column, 20 mm

Quad assembly dimension:

- From Table 8-1, find $WLL_{min} = 12.50$ tonnes
- Select a quad assembly with a WLL of at least 12.50 tonnes, either from a standard (e.g. EN 1677-4) or from a DNV Type Approval certificate

Guidance note:

Guidance: The intermediate links may be calculated separately, using the following formula:

$$WLL_{int.link} = \frac{WLL_{min}}{2 \cdot \cos \alpha}$$

Where WLL_{min} is taken from Table 8-1, and α is the angle of the intermediate links to the vertical.

---e-n-d---of---G-u-i-d-a-n-c-e---n-o-t-e---

Sling leg dimensions:

- From Table 8-1, find $WLL_{min} = 12.50$ tonnes
- From Table E-1, column for four leg slings with 30°, select a WLL value of at least 12.50 tonnes
- Find chain dimension for forerunner in the left column, 13 mm

Shackle dimension:

- From Table 8-1, find $WLL_{min} = 12.50$ tonnes
- From Table 8-2, find WLL_s

$$WLL_s = \frac{WLL_{min}}{3 \cdot \cos \beta} = \frac{12.50}{3 \cdot \cos 30^\circ} = 4.81 \cdot \text{tonnes}$$

April 2006

- Select a shackle with a WLL of at least 4.81 tonnes, either from a standard (e.g. EN 13889) or from a DNV Type Approval certificate

Example 3:**Assembling a non-standard lifting set: Wire rope sling with 37.5° leg angle, with forerunner**

Assemble a wire rope sling for a container with Maximum Gross Mass, R = 17 tonnes, with a four leg sling, angle of legs 37.5° from vertical.

Required data:

Max. Gross Mass: R = 17000 kg
 Sling leg angle: $\beta = 37.5^\circ$
 Configuration: Four legs with forerunner
 Type of wire rope: Fibre cored wire rope, grade 1770

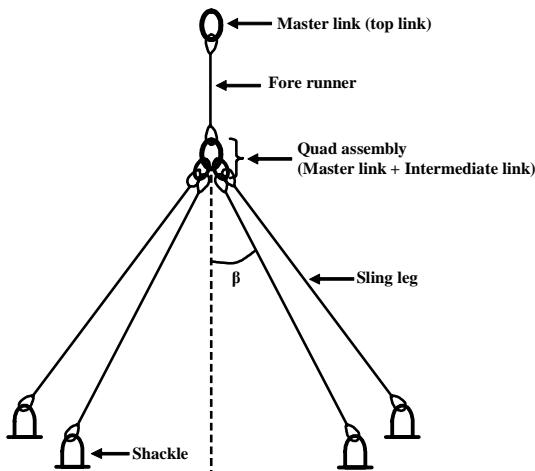


Figure E-2
Four legged Wire Rope Lifting Sling with Fore runner

Master link dimension:

- From Table 8-1, find $WLL_{min} = 20.86$ tonnes
- Select a master link with a WLL of at least 20.86 tonnes, either from a standard (e.g. EN 1677-4) or from a DNV Type Approval certificate

Forerunner dimension:

- From Table 8-1, find $WLL_{min} = 20.86$ tonnes
- Select a wire rope with a WLL of at least 20.86 tonnes

Guidance note:

Guidance: If non-standardised wire ropes shall be used, the WLL for the wire rope sling can be found using the following formula:

$$WLL = \frac{BL_{min} \cdot K_T \cdot n \cdot \cos \beta}{5 \cdot g}$$

Where:

BL_{min} = minimum breaking force of the rope in kN
 K_T = factor which allows for the efficiency of the termination, for ferrule secured terminations $K_T = 0.9$, for spliced terminations $K_T = 0.8$
 n = 1 for single leg slings and forerunners
 = 2 for 2 leg slings
 = 3 for 3 and 4 leg slings
 β = sling leg angle to the vertical
 g = acceleration of gravity

---e-n-d---of---G-u-i-d-a-n-c-e---n-o-t-e---

Quad assembly dimension:

- From Table 8-1, find $WLL_{min} = 20.86$ tonnes
- Select a quad assembly with a WLL of at least 20.86 tonnes, either from a standard (e.g. EN 1677-4) or from a DNV Type Approval certificate

Guidance: The intermediate links might be calculated separately, using the following formula:

$$WLL_{int. link} = \frac{WLL_{min}}{2 \cdot \cos \alpha}$$

Where WLL_{min} is taken from Table 8-1, and α is the angle of the intermediate links to the vertical.

Sling leg dimensions:

- From Table 8-1, find $WLL_{min} = 20.86$ tonnes
- Calculate the Required WLL for each leg, using formula given in 8.3.1.2:

$$\text{Required WLL} = \frac{20.86}{3 \cdot \cos 37.5^\circ} = 8.76 \cdot \text{tonnes}$$

- Select a wire rope with a WLL of at least 8.76 tonnes (If non-standardised wire ropes shall be used, see formula as given for fore runner)

Shackle dimension:

- From Table 8-1, find $WLL_{min} = 20.86$ tonnes
- From Table 8-3, find WLL_s

$$WLL_s = \frac{20.86}{3 \cdot \cos 37.5^\circ} = 8.76 \cdot \text{tonnes}$$

- Select a shackle with a WLL of at least 8.76 tonnes, either from a standard (e.g. EN 13889) or from a DNV Type Approval certificate

E.2 Chain Sling Dimensions

Based on EN 818-4

Table E-1 Working Load Limits for 1, 2 and 4 leg chain slings at different angles											
Nominal size of sling	Working Load Limits in tonnes										
	Single leg sling and forerunners	Four leg slings at					Two leg slings at				
(mm)		45°	40°	35°	30°	25°	45°	40°	35°	30°	25°
10 ¹⁾	3.15	[6.7]	7.24	7.7	8.2	8.6	[4.5]	[4.8]	[5.2]	[5.5]	[5.7]
13	5.30	11.2	12.2	13.0	13.8	14.4	7.5	8.1	8.7	9.2	9.6
16	8.00	17.0	18.4	19.7	20.8	21.8	11.3	12.3	13.1	13.9	14.5
18	10.0	21.2	23.0	24.6	26.0	27.2	14.1	15.3	16.4	17.3	18.1
19	11.2	23.8	25.7	27.5	29.1	30.5	15.8	17.2	18.3	19.4	20.3
20	12.5	26.5	28.7	30.7	32.5	34.0	17.7	19.2	20.5	21.7	22.7
22	15.0	31.8	34.5	36.9	39.0	40.8	21.2	23.0	24.6	26.0	27.2
23	16.0	33.9	36.8	39.3	41.6	43.5	22.6	24.5	26.2	27.7	29.0
25	20.0	42.4	46.0	49.1	52.0	54.4	28.3	30.6	32.8	34.6	36.3
26	21.2	45.0	48.7	52.1	55.1	57.6	30.0	32.5	34.7	36.7	38.4
28	25.0	53.0	57.5	61.4	65.0	68.0	35.4	38.3	41.0	43.3	45.3
32	31.5	66.8	72.4	77.4	81.8	85.6	44.5	48.3	51.6	54.6	57.1
36	40.0	84.9	91.9	98.3	103.9	108.8	56.6	61.3	65.5	69.3	72.5
40	50.0	106.1	114.9	122.9	129.9	135.9	70.7	76.6	81.9	86.6	90.6

1) Slings with WLL values below 7.0 may not be used on offshore containers, ref. Table 8-1 in Section 8.

E.3 Wire Rope Sling Dimensions

Based on EN 13414-1

Table E-2 Working Load Limits for 1, 2 and 4 leg wire rope slings at different angles											
Fibre cored rope, grade 1770											
Nominal size of sling	Working Load Limits in tonnes										
	Single leg sling and forerunners	Four leg slings at					Two leg slings at				
(mm)		45°	40°	35°	30°	25°	45°	40°	35°	30°	25°
18 ¹⁾	3.40	7.2	7.8	8.4	8.8	9.2	[4.8]	[5.2]	[5.6]	[5.9]	[6.2]
20 ¹⁾	4.35	9.2	10.0	10.7	11.3	11.8	[6.2]	[6.7]	7.1	7.5	7.9
22	5.20	11.0	12.0	12.8	13.5	14.1	7.4	8.0	8.5	9.0	9.4
24	6.30	13.4	14.5	15.5	16.4	17.1	8.9	9.7	10.3	10.9	11.4
26	7.20	15.3	16.5	17.7	18.7	19.6	10.2	11.0	11.8	12.5	13.1
28	8.40	17.8	19.3	20.6	21.8	22.8	11.9	12.9	13.8	14.5	15.2
32	11.0	23.3	25.3	27.0	28.6	29.9	15.6	16.9	18.0	19.1	19.9
36	14.0	29.7	32.2	34.4	36.4	38.1	19.8	21.4	22.9	24.2	25.4
40	17.0	36.1	39.1	41.8	44.2	46.2	24.0	26.0	27.9	29.4	30.8
44	21.0	44.5	48.3	51.6	54.6	57.1	29.7	32.2	34.4	36.4	38.1
48	25.0	53.0	57.5	61.4	65.0	68.0	35.4	38.3	41.0	43.3	45.3
52	29.0	61.5	66.6	71.3	75.3	78.8	41.0	44.4	47.5	50.2	52.6
56	33.5	71.1	77.0	82.3	87.0	91.1	47.4	51.3	54.9	58.0	60.7
60	39.0	82.7	89.6	95.8	101.3	106.0	55.2	59.8	63.9	67.5	70.7

1) Ropes with WLL values below 7.0 may not be used on offshore containers, ref. Table 8-1 in Section 8.

April 2006

E.4 Wire Rope Sling Dimensions

Based on EN 13414-1

Table E-3 Working Load Limits for 1, 2 and 4 leg wire rope slings at different angles Steel cored rope, grade 1770											
<i>Nominal size of sling</i>	<i>Working Load Limits in tonnes</i>										
	<i>Single leg sling and forerunners</i>	<i>Four leg slings at</i>					<i>Two leg slings at</i>				
(mm)		45°	40°	35°	30°	25°	45°	40°	35°	30°	25°
18 ¹⁾	3.70	7.8	8.5	9.1	9.6	10.1	[5.2]	[5.7]	[6.1]	[6.4]	[6.7]
20 ¹⁾	4.60	9.8	10.6	11.3	12.0	12.5	[6.5]	7.0	7.5	8.0	8.3
22	5.65	12.0	13.0	13.9	14.7	15.4	8.0	8.7	9.3	9.8	10.2
24	6.70	14.2	15.4	16.5	17.4	18.2	9.5	10.3	11.0	11.6	12.1
26	7.80	16.5	17.9	19.2	20.3	21.2	11.0	12.0	12.8	13.5	14.1
28	9.00	19.1	20.7	22.1	23.4	24.5	12.7	13.8	14.7	15.6	16.3
32	11.8	25.0	27.1	29.0	30.7	32.1	16.7	18.1	19.3	20.4	21.4
36	15.0	31.8	34.5	36.9	39.0	40.8	21.2	23.0	24.6	26.0	27.2
40	18.5	39.2	42.5	45.5	48.1	50.3	26.2	28.3	30.3	32.0	33.5
44	22.5	47.7	51.7	55.3	58.5	61.2	31.8	34.5	36.9	39.0	40.8
48	26.0	55.2	59.8	63.9	67.5	70.7	36.8	39.8	42.6	45.0	47.1
52	31.5	66.8	72.4	77.4	81.8	85.6	44.5	48.3	51.6	54.6	57.1
56	36.0	76.4	82.7	88.5	93.5	97.9	50.9	55.2	59.0	62.4	65.3
60	42.0	89.1	96.5	103.2	109.1	114.2	59.4	64.3	68.8	72.7	76.1

1) Ropes with WLL values below 7.0 may not be used on offshore containers, ref. Table 8-1 in Section 8.

Appendix F

Example of Drop Test

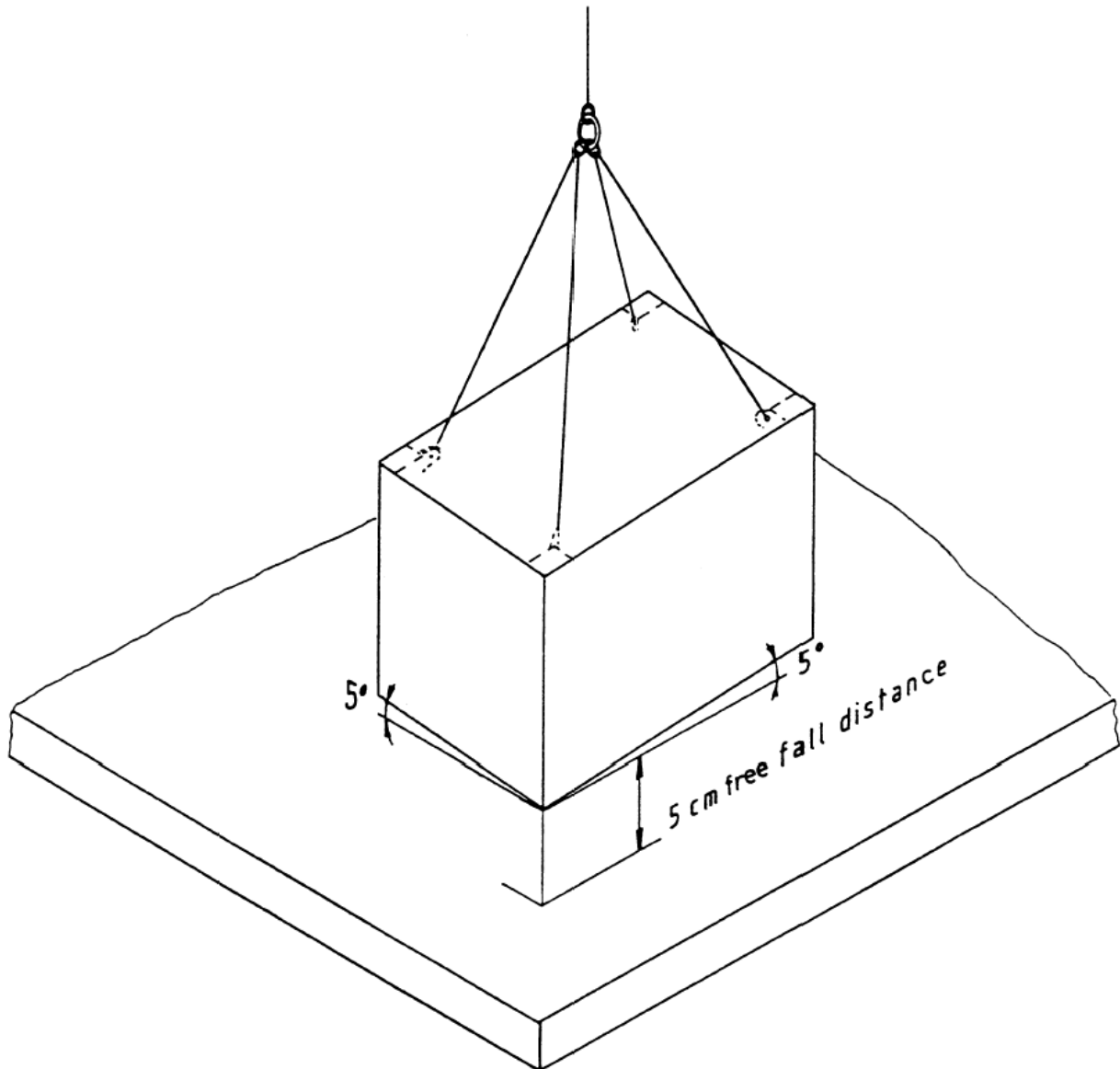


Figure F-1
Vertical impact test (see also clause 3.7.2)

April 2006

Appendix G Certificate for Offshore Container



DET NORSKE VERITAS

Certificate No.:

CERTIFICATE FOR OFFSHORE CONTAINER

Part 1

Offshore Container Type:		
Max. Gross Mass (Rating):	Tare Mass:	Payload:
External Dimensions (LxWxH):		Design Temperature:
Det Norske Veritas Type Approval No./ Design Approval Reference:		Assembly Drawing No.:
Manufacturer:		
Type Designation:	Manufacturer's serial No.:	Date of manufacture:
Production testing This offshore container, or another offshore container from the same production series, has been subjected to the following proof test:		
Manufacturer's serial No. of the offshore container(s) tested:		Total test load (2,5R):
Test date:		
Minimum requirements for the lifting set This certificate is <u>only</u> valid when the container is fitted with a lifting set approved by DNV. (Certificates for lifting set/components of lifting set, or reference to owner's record, to be listed in Part 2)		
Min. shackle bolt diameter:	Max. angle of legs (from vertical):	Enhancement factor:
This Offshore Container has been designed, approved, manufactured and tested in accordance with Det Norske Veritas Standard for Certification no. 2.7-1 "Offshore Containers".		
The container also complies with the following requirements and regulations: <ul style="list-style-type: none"> - IMO MSC/Circ.860 - - - - - 		
Remarks 		
This field need only be filled in when the certificate is prepared by a manufacturer with an MSA agreement with DNV.		
MSA agreement No.:		
Date:	
Place:	(Title) Manufacturer	
Date:	
Place:	(Title) Surveyor	
<small>If any person suffers loss or damage which is proved to have been caused by any negligent act or omission of Det Norske Veritas, then Det Norske Veritas shall pay compensation to such person for his proved direct loss or damage. However, the compensation shall not exceed an amount equal to ten times the fee charged for the service in question, provided that the maximum compensation shall never exceed USD 2 million. In this provision "Det Norske Veritas" shall mean the Foundation Det Norske Veritas as well as all its subsidiaries, directors, officers, employees, agents and any other acting on behalf of Det Norske Veritas.</small>		

Certificate No.:

CERTIFICATE FOR OFFSHORE CONTAINER, Part 2

Owner:		Owner's container identification no.:		
Lifting set (Lifting slings, shackles and replacements to be listed)				
Description of parts	Supplier/Fabricator	Certificate No./ Reference to owner's record	Date	
Periodical inspection and recertification				
Date	Type of Inspection* (V, VN or T)	Report no./ Test Cert. no.	Signature/ Stamp **	Remarks
<p>* Should be indicated by one of the following suffixes:</p> <p>V Suffix V to indicate visual examination only</p> <p>VN Suffix VN to indicate visual examination and NDE</p> <p>T Suffix T to indicate visual examination, NDE and strength tested</p>		<p>** The signature of the competent person certifies that the Offshore Container, including its lifting sling, has been thoroughly examined, and that defects affecting its safe working condition, if any, have been repaired.</p>		

April 2006

Appendix H

DNV Emblem for Offshore Containers



Figure H-1
DNV Emblem for Offshore Containers

Appendix I MSC/Circ.860

INTERNATIONAL MARITIME ORGANIZATION

4 ALBERT EMBANKMENT
LONDON SE1 7SR

Telephone: 0171-735 7611
Fax: 0171-587 3210
Telex: 23588 IMOLDN G



E

Ref. T3/1.01

MSC/Circ.860
22 May 1998

GUIDELINES FOR THE APPROVAL OF OFFSHORE CONTAINERS HANDLED IN OPEN SEAS

- 1 The Maritime Safety Committee, at its sixty-ninth session (11 to 20 May 1998), considered and approved draft revised Guidelines for the approval of offshore containers handled in open seas, as set out in the annex to this circular.
- 2 These Guidelines are based on the provisions contained in the annex to MSC/Circ.613, which have been updated to reflect more clearly the relevant provisions in the Recommendation on Harmonized Interpretation and Implementation of the International Convention for Safe Containers (CSC), 1972, as amended (CSC/Circ.100) and the IMDG Code and recent practice in the design of offshore containers.
- 3 Member Governments are invited to bring these Guidelines to the attention of all parties concerned with the approval, manufacture, inspection and operation of offshore containers.
- 4 This Circular replaces MSC/Circ.613 dated 18 June 1993.

April 2006

MSC/Circ.860

ANNEX

**GUIDELINES FOR THE APPROVAL OF OFFSHORE CONTAINERS
HANDLED IN OPEN SEAS**

- 1 The Maritime Safety Committee, at its sixty-second session, approved amendments to the Recommendation on Harmonized Interpretation and Implementation of the International Convention for Safe Containers, 1972 (CSC). The revised Recommendation was circulated as CSC/Circ.100 dated 30 June 1993 and has been included as a supplement in the 1996 edition of the CSC.
- 2 Paragraph 3.3 of the revised Recommendation on Harmonized Interpretation and Implementation of the CSC states that the Convention does not apply to offshore containers that are handled in open seas. There are several reasons for applying special design and testing parameters to offshore containers:
 - .1 the tests set out in Annex II to the CSC are designed to cover the forces on containers encountered in general marine transport, loading and unloading in ports and in inland transport. However, offshore containers are used to supply offshore installations and are typically shipped on the open deck of purpose-built supply vessels and are lifted onto and off the offshore installation by cranes on the installations. Such operations may often take place in very unfavourable weather and sea conditions;
 - .2 spreader beams, as used for lifting ordinary containers, cannot be used when lifting offshore containers; and
 - .3 the types of offshore containers used are often purpose-built and include closed and open dry cargo containers, dry bulk cargo containers and portable tanks. Offshore containers, unlike ISO containers, are not standardized with regard to sizes or gross mass; many have a smaller base area than the 7 m² in the lower limiting definition of a container in the CSC.
- 3 Sections 12 and 13 of the General Introduction to the International Maritime Dangerous Goods (IMDG) Code recognize the special nature of offshore containers and portable tanks. These sections state that the design and testing of offshore containers and offshore tank-containers should take into account the dynamic lifting and impact forces that may occur when a container or tank is handled in open seas in adverse weather and sea conditions and that the requirements for such containers and tanks should be determined by the approving competent authority.
- 4 For the purposes of these guidelines, "offshore containers" should be taken to mean portable units specially designed for repeated use in the transport of goods or equipment to, from or between fixed and/or floating offshore installations and ships. Such units include containers and portable tanks for dangerous goods as defined in sections 12 and 13 of the General Introduction to the IMDG Code.
- 5 These guidelines are intended to assist approving competent authorities in developing detailed requirements for offshore containers. For the purposes of these guidelines, the "approving competent authority" includes organizations duly authorized by the Administration.

I:\CIRC\MSC\860.WPD

Approval

- 6 Approving competent authorities should base their approval of offshore containers both on calculations and on testing, taking into account the dynamic lifting and impact forces that may occur when handling in open seas.

Design

- 7 Offshore containers should be fitted with special pad eyes, suitable for the attachment of purpose-built slings connected with shackles. Where ISO corner fittings are mounted in conjunction with pad eyes, these corner fittings are not intended for lifting offshore.
- 8 In order to facilitate handling in open seas, offshore containers should be pre-slung. Such slings should be permanently attached to the container and considered to be part of the container. The dynamic forces which occur when handling containers in open seas will be higher than those encountered during normal quayside handling. This should be taken into account when determining the requirements for slings on offshore containers by multiplying the normal safety factor for slings by an additional factor. The fact that light containers will be subject to relatively higher dynamic forces than heavier containers should also be taken into account. Minimum material requirements for impact toughness should be specified when high strength steel is used in e.g. chains, links and shackles.
- 9 Since offshore containers may not always be secured on supply vessels, such containers should be designed so as to withstand 30° tilting in any direction when fully loaded. Cargo may normally be assumed to be evenly distributed with the centre of gravity at the half height of the container, but on containers for dedicated transport (e.g. special bottle rack containers for gas bottles in fixed positions) the actual centre of gravity should be used.
- 10 Protruding parts on an offshore container that may catch on other containers or structures should be avoided. Doors and hatches should be secured against opening during transport and lifting. Hinges and locking devices should be protected against damage from impact loads.
- 11 Strength calculations should include lifting with the attached lifting sling and any other applicable means of handling (e.g. lifting with fork lift trucks). Impact loads on the sides and bottom of containers should also be considered in these calculations and impact properties should be included in the requirements for structural steel materials. However, calculations, including static equivalency of point loads in combination with the tests as set out in paragraph 13 should normally be considered sufficient.
- 12 Containers are sometimes temporarily used on floating or fixed offshore installations as storage space, laboratories, accommodation or control stations, etc. When used this way, the container will also be subject to the regulations applicable for the offshore installation in addition to transport related requirements based on these guidelines.

Testing

- 13 At least one offshore container of each design type should be subjected to the following tests:
- .1 **4-point lifting test**
Internal load: a uniformly distributed load such that the total mass of the container and test load is equal to $2.5R$, where R is the maximum allowable combined mass of the container and its cargo. The container should be lifted with a lifting sling attached to each of its four pad eyes with an angle to the vertical equal to the design angle.
 - .2 **2-point lifting test**
Internal load: a uniformly distributed load such that the total mass of the container and test load is equal to $1.5R$. A container fitted with four pad eyes should be lifted from only two pad eyes situated diagonally opposite each other.
 - .3 **Vertical impact test**
Internal load: a uniformly distributed load such that the total mass of the container and test load is equal to R . The container should be suspended at an inclined angle with the lowest corner at least 50 mm above a rigid floor. The container should then be quickly released so that it will have a speed of at least 1 m/s on initial impact.
 - .4 **Other tests**
Other tests, designed to demonstrate the ability of a container type to withstand other handling or transport forces, such as those described in relevant standards or the CSC, may also be required by the approving competent authority.
- 14 The tested offshore container should suffer no permanent damage or deformation in any of the tests which would render it incapable of being used for its designed purpose.
- 15 In order to ensure that offshore containers of the same design type are manufactured to the approved design, the approving competent authority should examine and test as many units as it considers necessary.
- 16 Offshore containers that have been designed, manufactured, tested and approved according to these guidelines should be clearly marked "Offshore Container" on an approval plate in accordance with the appendix. The details shown in the appendix represent minimum requirements.

MSC/Circ.860
ANNEX
Page 4

Inspection

- 17 Offshore containers should be inspected at least annually, as deemed appropriate, by the approving competent authority. The date of inspection and the mark of the inspector should be marked on the container, preferably on a plate fitted for this purpose. The inspection plate may be combined with the approval plate (paragraph 16) and any other official approval or data plates on a single base plate. It should be noted that the inspection plates on offshore containers commonly show the date of the last inspection unlike Safety Approval Plates on containers subject to the CSC which are marked with the date when the first periodic examination is due and in the case of containers covered by a periodic examination scheme (PES), with the date by which the next examination is due.

Standards and rules

- 18 The following standards and rules on offshore containers, not all of which cover all aspects of the design and testing in these guidelines, are known to exist or be under preparation and should be consulted as appropriate:
- BS 7072: British Standard Code of Practice for Inspection and Repair of Offshore Containers;
 - Det Norske Veritas (DNV): Certification Note 2.7-1, Offshore Containers;
 - Det Norske Veritas (DNV): Certification Note 2.7-2, Offshore Service Containers; and
 - pr EN 12079: Offshore Containers - Design, construction, testing, inspection and marking (under preparation by the European Committee for Standardization (CEN)).

APPENDIX

OFFSHORE CONTAINER		
Name of manufacturer:		
Month/year of manufacture:		
Identification No:		
Maximum gross mass:	Kg	lb
Tare-mass:	Kg	lb
Payload:	Kg	lb
Approval No:		

Approval Plate

I:\CIRC\MSC\860.WPD

April 2006

Appendix J Certificate for Offshore Container Lifting Slings – EXAMPLE

Certificate No:

<MANUFACTURERS NAME / LOGO>

CERTIFICATE FOR OFFSHORE CONTAINER LIFTING SLINGS

Manufacturer:		Address:	
Det Norske Veritas Type Approval No:		Manufacturing Survey Agreement with DNV:	Type designation:
Working Load Limit (WLL):	Angle of legs (to vertical):	Diameter of sling legs / fore runner:	Length of legs:
Description of the sling:			Identification number or mark:
Wire Rope Slings*			
Reference standard:	Grade of wire rope:	Grade of terminal fittings:	
Chain Slings*			
Reference standard:	Material grade:	Reference to testing of mechanical properties after Heat Treatment:	
Tests carried out on sling:			Test report No.:
Lifting set components (shackles to be included only if assembly secured) (If new components are installed before re-certification, reference to previous certificate number and the new components unique identification mark):			
Description:	Supplier/manufacturer:	Identification mark:	DNV TA No.:
This lifting set has been designed, approved and tested in accordance with Det Norske Veritas Certification Notes no. 2.7-1 "Certification of Offshore Freight Containers".			
The sling also conforms to the following standard(s): - -			
Remarks:			
This certificate is based on DNV type approval no. S- and is issued in accordance with Manufacturing Survey Arrangement no.			
Date:			
Place: <Title> Manufacturer	DNV stamp and endorsement	

*Delete the paragraph that is not applicable.

Appendix K
Certificate for Lifting Set Components* for Offshore Containers – EXAMPLE

Certificate No:

<MANUFACTURERS NAME / LOGO>

**CERTIFICATE FOR LIFTING SET COMPONENTS*
 FOR OFFSHORE CONTAINERS**

Manufacturer:		Address:	
Det Norske Veritas Type Approval No:	Manufacturing Survey Agreement with DNV:	Type designation:	
Description of the component:			
Working Load Limit (WLL):	Proof Load (PL):	Breaking Load (BL):	
Production (proof) testing			
Test performed:		Test result:	
Test report No.:			
Marking:			
These components* have been designed, approved and tested in accordance with Det Norske Veritas Certification Notes no. 2.7-1 "Certification of Offshore Freight Containers".			
The components* also conform to the following standard(s): - -			
Material certificate reference:			
Remarks:			
This certificate is based on DNV type approval no. S- and is issued in accordance with Manufacturing Survey Arrangement no.			
Date:			
Place: <Title> Manufacturer		DNV stamp and endorsement

* The terms "components" and "lifting set components" may be replaced by the correct term, e.g. by chain, shackle, master link etc.

April 2006

ANNEX 1

TYPE APPROVAL OF LIFTING SETS FOR OFFSHORE CONTAINERS

1. Introduction

This Annex outlines the procedure and conditions for obtaining Det Norske Veritas' type approval for lifting sets and lifting set components for offshore containers. It also specifies the conditions for manufacturing and certifying type approved equipment.

Type approval certificates are issued to manufacturers of lifting sets or to manufacturers of components for lifting sets.

Such type approval is applicable for lifting sets and components that are certified according to 8.2.

Lifting sets that are type approved to this Standard for Certification may also be suitable for use in other applications that are not offshore containers. For other applications, requirements for the safety factors, documentation and marking may be different from those described in this Standard for Certification.

2. Scope

Annex 1 applies to all parts of the lifting sets for offshore containers. A type approval may cover any of the following items:

- Assembled single or multi leg chain slings
- Assembled single or multi leg wire rope slings
- Components for lifting sets (chains, wire ropes, links, shackles, couplings)

A type approval certificate may cover a range of products (e.g. different sizes).

The annex is based on the following rules and standards:

- Section 8 of this Standard for Certification
- European standards for slings and components for lifting purposes. Other standards for slings or components may also be accepted after special consideration.

3. General

3.1 Documentation to be submitted

When applying for type approval, the applicant shall inform which standard(s) the products shall be approved to, and submit the documentation listed below.

3.1.1 Documentation for type approval of lifting slings

Applicable for chain slings assembled by welding or mechanically assembled and wire rope slings. Shackles will only be considered as part of the lifting sling if they are assembly secured.

- a) Specification of the lifting sling, including applicable standards, material grades, the range of sizes for each component (except for thimbles and ferrules), including dimensions, Working Load Limit (WLL), Proof Load (PL) and Breaking Load (BL).
- b) Assembly drawing of the lifting sling, and detailed drawing of each component, where relevant.
- c) Copies of relevant material documentation.
- d) List of suppliers for the various components.
- e) Information on subcontractors, where relevant.

- f) Instructions for selecting and assembling lifting slings for each application, including determination of required strength and selection of components to be used, etc.
- g) Description of all manufacturing procedures (e.g. for wire rope slings: the assembly of the sling legs with terminals etc. and for chain slings see 3.1.2).
- h) Details of the identification tag for the slings.
- i) A description of the test methods and the procedures for all relevant prototype and production tests.

At least 2 copies shall be submitted of the items as listed above.

3.1.2 Documentation for type approval of lifting set components

Applicable for chains, links, link assemblies, shackles and couplings.

- a) Specification of the components, including applicable standards, material grades, the range of sizes for each component, including dimensions, Working Load Limit (WLL), Proof Load (PL) and Breaking Load (BL).
- b) Detailed drawings of each component.
- c) Copies of relevant material documentation.
- d) A description of the manufacturing procedures (forming, welding, heat treatment, surface treatment, etc.). Capacities (e.g. furnaces), heat treatment temperatures and tolerances, heating and cooling rates and other relevant information to be included.
- e) Information on subcontractors, where relevant.
- f) Details of marking on components.
- g) A description of the test methods and procedures for all relevant prototype and production tests.

At least 2 copies shall be submitted of the items as listed above.

3.1.3 General documentation from the manufacturer

- a) A brief description of the production facilities.
- b) Laboratory and testing facilities (if applicable).
- c) A brief description of the quality assurance (QA) system, including a copy of any certificates held for the QA system.

At least 1 copy of these documents should be submitted.

If the manufacturer wishes to obtain a Manufacturing Survey Arrangement (see 8), additional information may be required.

All product information received by the Society remains the property of the client and will be treated with full confidentiality.

3.2 Validity

The validity of a type approval is normally limited to a period of four (4) years.

3.3 Renewal

Application for renewal of type approval certificates should be made not later than 3 months before the expiry of the type approval certificate.

Replacement of components for type approved chain or wire rope slings:

DNV shall be informed of new sub suppliers of shackles, chains and links who are not listed on the type approval certificate. DNV shall be informed and review new suppliers of wire ropes. DNV does not have to be informed of new sub suppliers of thimbles and ferrules. Any other significant change of the type approved product or the production process shall be reported.

If necessary, a new type approval certificate will be issued. Renewed testing may be required if the changes affect the properties of the product.

4. Design requirements

The lifting set and its components shall comply with the requirements given in this Standard for Certification, Section 8, and be designed in accordance with the recognised standards for lifting slings and components.

If shackles are assembly secured (see definition in 1.4.9), they can be included in the type approval of lifting slings.

When chain or wire rope slings shall be type approved, the slings must be made from type approved chains, links, shackles (and couplings). When these components are delivered by sub-contractors, they shall be supplied with DNV product certificates, based on DNV Type Approvals.

5. Materials and Material Testing

Steels shall comply with the material requirements of this Standard for Certification, Section 8. Chemical composition, materials testing and mechanical properties shall also be according to the relevant recognised standard. Steels shall have good ductility at low temperatures and be able to withstand dynamic loads.

Steels in chains, links, rings, shackles and couplings shall be impact tested by the Charpy impact (V-notch) method according to 3.1 and 8.4 of this standard for Certification.

The impact test temperature shall be equal to the design temperature, T_D but shall not be taken higher than -20°C . This also applies for Annex 3 Containers for Temperate Climates.

Impact tests shall be carried out according to EN 10045-1, DNV's ship rules Pt.2, Ch.1. or other recognized standard. Steel bars with diameter less than 13mm (e.g. for chain links) need not be impact tested. However, sufficient impact strength should be ensured by the choice of materials and by using the proper production process. If the length of the finished product (after welding and heat treatment) is too small to allow preparation of specimens, special specimens of sufficient length shall be made from the same materials and with the welding and heat treatment.

6. Prototype Testing

Prototype tests of components and assembled slings shall be carried out at the manufacturer or at a recognised laboratory and witnessed by a DNV surveyor.

Reports with test results shall also describe the tests carried out. Material certificates shall be enclosed. These shall include results of impact strength tests. Test reports shall be either prepared or endorsed by the surveyor.

Components and assembled slings shall be subjected to all tests specified in the applicable standard.

Note:

If a manufacturer wishes, they may have their components approved for higher rating than the minimum values required by the selected standard, provided all the strength related properties are

increased proportionately. (Example: If a shackle shall be approved for higher WLL and MBL than required by EN 13889, the proof load must be increased proportionally.)

---e-n-d---of---N-o-t-e---

7. Marking and Traceability

Slings and components for lifting sets shall be marked according to the applicable standards. The identification tag on slings should be in accordance with 8.6.

Each component of the lifting set shall be marked such that it is traceable through the production process.

8. Requirements Related to Manufacturers

The manufacturer shall ensure the quality of products by implementing a quality system at least in accordance with EN ISO 9001. The quality system shall be to the Society's satisfaction.

It is also advisable for a manufacturer to apply for a Manufacturing Survey Arrangement (MSA) with DNV, (see 10.2). An MSA is a signed survey arrangement stating the role of DNV and the manufacturer in connection with manufacturing survey and certification.

Such an MSA agreement is based on the following elements:

- A quality system certified by DNV or another accredited certification body. If the MSA shall be based on a quality system certificate which was not issued by DNV, the Society will perform an audit of the quality system.
- The required tests and inspections shall be standard procedures either included in the manufacturer's quality system procedures or stated in the MSA.
- The manufacturer must be experienced in the manufacturing of the products in question.
- DNV must be familiar with the manufacturer.
- Certificate retention surveys.

If sufficiently comprehensive in scope, such an MSA may include provisions that allow the manufacturer to issue all product certificates.

Certificate retention surveys shall be carried out by DNV at prescribed intervals. Intervals are not to exceed 12 months.

9. Type Approval Certificate

Type approval certificates for lifting sets or components for lifting sets will be issued by DNV/MTPNO when the prototype test report has been found satisfactory.

The type approval certificate will at least contain the following information:

- Product designation and description
- Name and address of the manufacturer
- Basis for approval (rules and standards)
- Fields of application and operational limitations
- Approval conditions
- For slings: list of components, components suppliers and DNV type approval references for components
- List of documentation
- Type tests carried out
- Validity period
- Requirements for certificate retention surveys.
- Marking requirements.

The main data from each type approval certificate will be published in the DNV's electronic Register of Type Approved

April 2006

products in DNV Exchange on DNV's web site www.dnv.com. Information relating to requirements or tests outside the scope of this annex may be added if agreed with the manufacturer.

10. Production and Certification

10.1 Production testing

Testing during production shall be in accordance with the relevant sling or component standards. When slings are assembled from type approved components (e.g. chain slings with couplings), the assembled slings shall be tested. See also the note on test loads in Section 6 of this Annex.

From each coil of wire rope, a sample length shall be tested to breaking load, with the terminations normally applied by the sling manufacturer. Additional proof load testing may be done according to EN 13414-1.

Guidance note:

This breaking load test is included because experience has shown that for each particular type of steel wire rope the strength reduction caused by the terminations may vary, and because faults or poor quality in wire ropes may be difficult to detect by other methods such as proof load testing. If a test shows an excessive strength reduction at the termination, further inspection and testing should be performed, and if necessary the wire rope should be rejected.

---e-n-d---of---G-u-i-d-a-n-c-e---n-o-t-e---

Impact testing of materials in accordance with Section 5 of this Annex shall be performed on every production lot.

10.2 Lifting set certificate

Each lifting set certified according to DNV's type approval shall be delivered with a product certificate, on DNV form 40.91a, or on the manufacturer's own certificate form, containing at least the information listed in 8.5.

The documents referred to on the product certificate (component certificates, material certificates, test reports etc.) shall be retained by the manufacturer.

Provided the manufacturer has a full MSA agreement with DNV, the certificate may be issued by the manufacturer. Each certificate shall be sent to the local DNV office for counter-signing. If there is no such MSA, the Society will issue certificates for each lifting set. Certificates issued by the manufacturer shall include the following text:

“This certificate is based on DNV type approval no. S-xxxx and is issued in accordance with Manufacturing Survey Arrangement no.”

Note:

If national certificates for lifting equipment (based on ILO's "form 3" certificates for loose gear) are issued by agents for a manufacturer, these certificates should contain references to the product certificate and to DNV's type approval.

---e-n-d---of---N-o-t-e---

10.3 Certificates for Lifting Set Components

Each type approved component shall be delivered with a product certificate (form 40.91a) containing the information required by 8.5.2 of this Standard for Certification and the relevant standards.

ANNEX 2

APPROVAL PROGRAMME FOR TEST FACILITIES ENGAGED IN LOAD TESTING AND NDT INSPECTION OF OFFSHORE CONTAINERS

1. General

1.1 Scope

According to DNV's Certification Note 2.7-1 "Offshore Containers", such containers are subject to requirements for load testing. Tests may be prototype tests (described in 3.7), production tests (Ch. 4) or tests of existing units at periodic inspections or after extensive repairs or modifications (Ch. 8).

After load tests offshore containers shall be inspected by suitable NDT methods. Refer to Sections 4 and 8.

Such tests and inspections shall be carried out in accordance with Certification Note 2.7-1 in a manner accepted by the Society. In addition to this, it is the responsibility of the test facilities that they comply with all applicable safety regulations.

Testing and NDT may be carried out by manufacturers of offshore containers themselves, or by others on behalf of manufacturers or owners. In order to be approved according to this Approval Programme, the applicant should normally be able to perform all the tests required by Certification Note 2.7-1.

Firms providing such services can be approved according to this Approval Programme. This approval is voluntary and does not replace the requirements found in CN 2.7-1 with regard to DNV witnessing load testing, and performing inspections according to CN 2.7-1. However, based on this approval, DNV may consider setting up a Manufacturing Survey Arrangement for production testing, where DNV's presence at production tests is limited.

In the following, firms performing the services described here are referred to as *the supplier*.

1.2 Objective

The objective of this approval programme is to ensure that the supplier has the necessary technical equipment and facilities commensurate with providing a professional service, that he has qualified personnel, and that he has implemented written systems for training, control, verification and reporting.

1.3 Extent of engagement

This approval programme defines the procedure required for obtaining approval in order to perform:

- prototype and production load test
- post load test NDT of new offshore containers
- NDT of existing offshore containers.

The criteria cover quality systems, administrative procedures and work procedures.

1.4 Validity

The approval will be valid for four (4) years. Procedures for issuing and renewing approvals are described in Ch. 4, cancellation of approval is described in Section 6.

2. Requirements to supplier

A certificate of approval will be awarded and maintained on the basis of compliance with the following.

2.1 Submission of documents

The following documents shall be submitted for review:

- an outline of the supplier's organisation and management structure, including any subsidiaries to be included in the approval
- a list of subsidiaries or nominated agents, if applicable
- experience of the supplier in the specific service area
- a list of operators, technicians and inspectors' documented training and experience within the relevant service area, including qualifications according to recognised national, international or industry standards, as relevant
- description of equipment used for the particular service for which approval is sought
- a guide for operators of such equipment
- training programmes for operators, technicians and inspectors
- check lists and report formats for recording results of the services referred to in item 2.12
- quality manual and/or documented procedures covering the requirements given in item 2.2
- evidence of approval/acceptance by other certification bodies, if any
- information on other activities which may present a conflict of interest.

2.2 Quality assurance system

The supplier shall have a documented quality system, covering at least:

- maintenance and calibration of the equipment
- training programmes for the supervisors and the operators
- supervision and verification of operation to ensure compliance with the approved operational procedures
- quality management of subsidiaries and agents (if applicable)
- job preparation
- recording and reporting of information
- periodic review of work process procedures, complaints, corrective actions, issuance, maintenance and control of documents.

An implemented quality assurance system complying with the ISO 9000 standard or equivalent, and including the items listed above will be considered acceptable.

2.3 Qualification of personnel

The supplier is responsible for the qualification and training of its supervisors and operators fulfilling recognised national, international or industry standards as applicable (see item 2.4 and 2.5).

Responsible personnel should at least be familiar with:

- the reporting system
- the national statutory and rule requirements for offshore containers in question
- with respect to offshore containers, the inspector should have, as a minimum, a knowledge and adequate practical experience of
- the statutory requirements relating to offshore containers
- the provisions of CN 2.7-1
- the various types of offshore containers in service

April 2006

- the correct methods of slinging and handling offshore containers
- the loads, stresses and strains affecting containers when handled under adverse offshore conditions, particularly those affecting lifting points
- methods of testing containers
- defects likely to be found in containers and acceptable levels of wear, distortion and deterioration in relation to safety in use
- welding methods and procedures and qualifications of welders
- the various methods of non-destructive examination (NDT) and a good understanding of how they work as well as of their limitations
- the visual inspection as required by CN 2.7-1
- the signs of weakness and defects to look for
- any other relevant items shall be included.

The qualification scheme should also include maintenance of the qualifications.

2.4 Supervisor

The supplier shall have a supervisor responsible for the correct execution of testing, measurements and interpretation of NDT results and for the professional standard of the operators and their equipment, including the professional administration of the working procedures.

The supervisor shall be qualified with respect to NDT according to a recognised industrial NDT standard; e.g. EN 473 Level II, ISO 9712 Level II or a corresponding equivalent standard.

2.5 Operators

The operator performing the NDT shall be certified according to EN 473 Level I, ISO 9712 Level I or a corresponding standard.

2.6 Personnel records

The supplier is required to keep records of the approved supervisor and operators. The records shall contain information on age, formal education, training and experience in load testing and NDT of the individuals.

2.7 Equipment

The test mass (or test load) to be used shall be verified using calibrated weights, or a calibrated load cell and handset. Examples of appropriate means of application of test mass or test load are calibrated test blocks, water bags, sand bags, free weights, or a suitable test rig.

If a load cell and hand set is used it shall be calibrated annually, in accordance with an acceptable standard. Should a load cell be overloaded or receive a shock load (e.g. from being dropped) it is recommended that the load cell and handset be re-calibrated before further use.

Where used, test blocks shall be calibrated, as a minimum, every second year in accordance with acceptable international or national standards. The measured mass, in kilograms, of each block shall be legibly and durably marked on each block. Care should be taken in the storage of calibrated concrete blocks so as to prevent the absorption of water having an influence on the actual block mass.

Suitable supporting structures to enable the underside of the container to be safely inspected, should be available at the testing site.

2.8 Procedures and instructions

The supplier shall have documented work procedures that are at least to contain information on inspection preparation, method of load testing and application of test mass, selection and identification of test locations, surface preparation and calibration checks, report preparation and contents.

Application of loads:

- Normally loads should be evenly distributed over the floor (and intermediate decks).
- Offshore containers for a dedicated use may have concentrated loads at fixed points. In such cases the test loads shall be applied at the same points.
- Loads on tank containers: Test loads that can not be placed inside the tank should be distributed, e.g. by suspending weights from (webbing) straps slung over the tank shell.
- Test jigs may be used instead of conventional testing after special consideration. The test jig must give realistic load application to all parts of a container that shall be tested, and the container must be free to deflect.

As a minimum the procedure for conducting load tests should be according to 2.8.1 to 2.8.3.

2.8.1 Lifting tests

2.8.1.1 General

The container shall be lifted by a lifting set with an angle to the vertical equal to the design angle. The container shall be clear of the ground throughout the test.

The container shall be carefully lifted in such a way that no significant acceleration forces occur. It shall be held for 5 minutes before measurements are taken.

2.8.1.2 All-point lifting

The container shall be loaded to a total gross mass of 2.5 R and lifted clear of the ground, using all the pad eyes. (The test load may be obtained by putting in an internal test mass of 2.5 (R-T).) No deflections during testing shall be greater than 1/300 of the span of the member. The offshore container shall show no permanent deformation or other damage after testing.

2.8.1.3 Two-point lifting

An offshore container fitted with four pad eyes shall also be lifted from only two pad eyes, situated diagonally opposite each other, with a total mass of 1.5 R. (This can be achieved by putting in an internal test mass of 1.5

(R-T).) After the test there shall be no permanent deformation.

2.8.2 Vertical impact test

2.8.2.1 General

The container shall be lowered or dropped on to a workshop floor of concrete or other rigid structure.

This floor may be covered with a sheathing of wooden planks with a thickness not exceeding 50 mm (2 inches). If the container is lowered from a crane, the suspending wire and hook may dampen the impact compared to a free-fall drop test. Therefore the impact speed should be greater if a lowering test is used.

In both cases, the container shall be inclined so that each of the bottom side and end rails connected to the lowest corner forms an angle of not less than 5° with the floor.

However, the greatest height difference between the highest and lowest point of the underside of the container corners need not be more than 400 mm.

The impacting corner shall be the one expected to have the lowest rigidity. On closed dry cargo containers this will normally be at the door end.

No significant permanent damage shall occur. Cracks in welds and minor deformations may be repaired.

One of the following procedures shall be carried out:

2.8.2.2 Drop test

Container to be inclined as described above. The container shall be suspended from a quick release hook. When released, the container shall drop freely for at least 50 mm to give it a speed at initial impact of at least 1 m/s.

2.8.2.3 Lowering test

An internal load equal to the payload (P) shall be safely secured and the container shall be inclined as described above. The container shall be lowered to the floor at a constant speed of not less than 1.5 m/s.

Note! these tests may cause considerable tremors in a building!

2.8.3 Other tests

When required other tests may have to be carried out for containers of unusual configuration. These shall be agreed in advance with DNV.

Tanks for dangerous cargoes shall in addition be tested according to the requirements of the IMDG Code.

2.8.4 Non-destructive examination

Suitable NDT should be used after the tests are completed. Method and extent to be agreed with the DNV surveyor.

This NDT does not replace the NDT that is required during the production of new containers by 4.2.3.

2.9 Administrative procedures

The supplier shall have an order reference system where each engagement is traceable to the container identification.

2.10 Verification

The supplier shall verify that the service provided is carried out in accordance with approved procedures. Executed verification should be documented.

2.11 Sub-contractors

The supplier shall give information of agreements and arrangements if any part(s) of the services provided are subcontracted. Particular emphasis shall be given to quality management by the supplier in the following-up of such subcontracts. Subcontractors, providing anything other than subcontracted personnel or equipment shall also meet the requirements of section 2.1 to 2.13 in this programme as well as section 3.

2.12 Reporting

Load tests and NDT inspection shall be reported. Load testing and post load testing NDT inspections may be reported in the same or in separate reports.

2.12.1 Contents of reports:

The following information, as a minimum, should be included:

- container identification (including manufacturer's serial number and/or owner's container number)
- name of owner or delegated nominee
- report number
- container tare mass and added test loads applied in each of the tests performed
- a description of the arrangement and execution of the tests, including load distribution
- measured deflections or deformations during and after the tests, as applicable
- any damages found after the test
- details of NDT carried out (extent and findings)
- reference, where appropriate, to any report issued to the owner arising from the process
- date of examination (date of signature or report also to be shown if different from date of examination)
- any other information relevant to structural evaluation
- name of organization, unique identification mark and the signature of the responsible person.

2.12.2 Prototype or production tests

Reports should either be made by the supplier and countersigned by the DNV surveyor, or written fully by the surveyor (practice may vary in different geographical areas.)

Additional information in prototype test reports:

- Net mass confirmed by weighing.

2.12.3 Tests on existing containers

Reports should be made by the supplier. If the container is tested for re-certification after extensive repair or modification, reports should either be made by the supplier and countersigned by the DNV surveyor, or written by the surveyor.

Additional information to be given in test and inspection reports for existing containers:

- a statement that the container described was inspected and/or tested and that the particulars are correct
- name of organization, unique identification mark and the signature of the person carrying out the inspections
- confirmation that the Inspection Plate was marked.

3. Repairs on containers identified as a result of load tests and or NDT

3.1 General

If a container is damaged (whether as a result of testing, or existing damages are detected by the supplier), the owner shall be advised as soon as practicable. The container shall not be used until it is repaired and inspected. Additional tests may be necessary after repairs.

The repairs shall be carried out in accordance with the requirements for design and manufacture of containers set out in CN 2.7-1 Sections 3 and 4. In case of major repairs, the repair procedure, materials used, section sizes, welding and welding procedures shall be approved by DNV.

Note:

Where a need for repair is identified, it may be necessary to make adequate arrangements for the safe transportation of the damaged container to a location specified by the owner.

---e-n-d---of---N-o-t-e---

4. Approval procedures

4.1 Review of documentation

The documentation specified in 2.1 will be reviewed by the Society. Additional information may be requested.

4.2 Initial audit

After evaluating the information received from the supplier, a surveyor from the Society will perform an audit of the supplier. Additionally, approval of the supplier is conditional upon a satisfactory practical demonstrations of all standard prototype load tests and NDT inspection performance. The reporting systems will also be evaluated.

4.3 Special procedures related to control of supplier's relationship with the parent company

If a parent company applies to the Society for inclusion of nominated agents and or subsidiaries in the certificate of approval, the parent company must have implemented a quality assurance system certified in accordance with ISO 9000 Standards. The parent company shall ensure effective controls of agents and or subsidiaries even when the agents or subsidiaries have an equally effective quality control system complying with the ISO 9000 Standard.

Such approvals shall be based upon an evaluation of the quality assurance system implemented by the parent company against the ISO 9000 Standard.

The Society will follow-up adherence to the certified quality

April 2006

assurance system by also performing audits on such agents or subsidiaries against the ISO 9000 Standard.

4.4 Certificate of approval

If the submitted documentation, the surveyor's audit and the practical demonstrations are all found to be satisfactory, the supplier will receive a Certificate of Approval. A list of these certificates will be published on the Society's Internet site at <http://exchange.dnv.com>

4.5 Renewal of approval

Renewal of the certificate of approval shall be made at intervals not exceeding 4 years. Verification shall be through audits confirming, or otherwise, that approved conditions are being maintained. Intermediate audits may be required, if found necessary by the Society. At least three months before the period of validity expires, the supplier shall apply to the Society for renewal of the certificate of approval.

5. Information on alteration to the certified service operation system

5.1 Alteration

In case alteration to the certified service operation system of the supplier is made, such alteration shall be reported immediately to the Society. A re-audit may be required when deemed necessary by the Society.

6. Cancellation of the certificate of approval

6.1 Right to cancel

The Society reserves the right to withdraw the certificate of approval in the following instances:

- where the service was improperly performed or the results were improperly reported
- where a surveyor finds deficiencies in the approved service operation system of the supplier, and corrective action appropriate is not taken within reasonable time
- where the supplier fails to give information of any alteration, as in 5.1
- where an intermediate audit, if requested as described in 4.5, has not been carried out
- where wilful acts or omissions are ascertained.

6.2 Information

The Society reserves the right to inform interested parties on cancellation of the certificate of approval.

6.3 Re-approval

A supplier that has had the Certificate of approval withdrawn may apply for re-approval after a period of six (6) months.

7. References

- DNV Certification Note 2.7-1 May 1995 Offshore Containers
- IMO Circular MSC/Circ.860 dated 22 May 1998
- EN 473 Level I and II
- ISO 9712 Level I and II
- ISO 9000.

ANNEX 3

OFFSHORE CONTAINERS FOR USE IN TEMPERATE CLIMATES ONLY

1. Introduction

The design temperature, as specified in Section 4 of this Standard for Certification, is used to determine the impact energy requirements for the steel used in the primary structure of offshore containers.

According to 4.1.4 of this Standard for Certification the design temperature, T_D , for offshore containers shall not be higher than $-20\text{ }^\circ\text{C}$. This Annex specifies alternative requirements for offshore containers that are only to be used in tropical and temperate areas of the world. In the areas defined in this Annex, a higher design temperature may be used. The design temperature for lifting set components according to Section 8 has not been changed.

IT IS IMPORTANT TO NOTE THAT CONTAINERS CERTIFIED ACCORDING TO THIS ANNEX ARE ONLY CERTIFIED FOR USE IN THE AREA DESCRIBED IN PARAGRAPH 2, AND THEY ARE NOT CERTIFIED FOR USE IN ANY OTHER AREAS. THE MARKING REQUIRED BY PARAGRAPH 4 SHALL BE RETAINED ON THESE CONTAINERS AS LONG AS THEY ARE USED AS OFFSHORE CONTAINERS.

2. Area

This Annex shall only be applied to offshore containers that are exclusively used in the following areas:

Between 36° North and 36° South and in Australian Waters.

3. Design temperature

The design temperature, T_D , for the container structure shall not be taken higher than the (statistically) lowest daily mean temperature for the area where the offshore container shall operate and shall not be higher than 0°C .

Note:

Some areas within the defined zones may in the winter have lowest daily mean temperature below $0\text{ }^\circ\text{C}$. For such areas, containers must comply with 4.1.4 of this Standard for Certification.

---e-n-d---of---N-o-t-e---

The design temperature, T_D , for lifting sets shall not be taken higher than -20°C .

4. Marking

In addition to the marking required in Section 6 of this Standard for Certification, containers that are designed in accordance with this Annex shall be marked as follows:

On the same side of the container as the information plate, the following text shall be prominently and indelibly displayed in characters of a contrasting colour, not less than 75mm high:

ONLY TO BE USED IN TEMPERATE CLIMATES

5. Data plate

In addition to the information required in 7.2 of this Standard for Certification, the data plate on containers that are designed in accordance with this Annex shall be marked with the following text, in characters not less than 4mm high:

The plate shall be headed

OFFSHORE CONTAINER DATA PLATE

DNV 2.7-1 – ANNEX 3 TEMPERATE CLIMATES

and the design temperature shall be marked

Design Temperature: $0\text{ }^\circ\text{C}$

Data plates shall not be removed from the container.